

## Installation Instructions

CS1212 I

CS1221 I

en - CA

Installation, repair and maintenance work should be performed by a Miele authorized service technician in accordance with national and local safety regulations and the provided installation instructions.

# IMPORTANT SAFETY INSTRUCTIONS

---

**WARNING-** When using your appliance follow basic precautions, including the following:

**Read all instructions before installation or use to prevent injury and appliance damage.**

**This appliance conforms to all uniform safety codes and regulations. The manufacturer cannot be held responsible for damage or injury caused by improper use of this appliance.**

**Keep these operating instructions in a safe place and pass them on to any future user.**

**SAVE THESE INSTRUCTIONS**

## Correct usage

▶ Only use the combiset for residential cooking, and for the purposes described in this manual.

Other uses are not permitted and can be dangerous. The manufacturer will not be held liable for damage caused by unauthorized use or improper operation of any kind.

▶ Persons who lack physical, sensory or mental abilities, or experience with the appliance should not use it without supervision or instruction by a responsible person.

## Children

▶ Activate the Child Safety Lock so that the combiset cannot be turned on inadvertently.

▶ Children should not be left unattended in an area where the appliance is in use. Never allow children to sit or stand on any part of the appliance.

**Caution:** Do not store items of interest to children in cabinets above the appliance. Children climbing on the appliance to reach these items could be injured.

▶ The appliance is hot during use and remains so for some time after being switched off. Keep children away from the appliance.

▶ Ensure that any packing material, is disposed of safely and kept out of the reach of children. Danger of suffocation!

▶ Keep all pots and pans out of the reach of children. Danger of burning or scalding.

# IMPORTANT SAFETY INSTRUCTIONS

## Technical Safety

▶ Installation, repair and maintenance work should be performed by a Miele authorized service technician. Work by unqualified persons could be dangerous and may void the warranty.

▶ Before installing the combiset, check for externally visible damage.

**Do not** operate a damaged appliance.

▶ To guarantee the electrical safety of this appliance, continuity must exist between the appliance and an effective grounding system. It is imperative that this basic safety requirement be met. If there is any doubt, have the electrical system of the house checked by a qualified electrician. The manufacturer will not be held responsible for damages caused by the lack, or inadequacy, of an effective grounding system.

▶ Before installation, make sure that the voltage and frequency listed on the data plate correspond with the household electrical supply. This data must correspond to prevent injury and appliance damage. Consult a qualified electrician if in doubt.

▶ Do not use an extension cord to connect this appliance to electricity. Extension cords do not guarantee the required safety of the appliance.

▶ Do not use the appliance until it has been properly installed in the countertop.

▶ Install the appliance so that the power cord does not come into contact with any portion of the cooktop which may become hot during use.

▶ Before servicing, disconnect the appliance from the main power supply.

▶ Do not operate any appliance with a damaged cord or plug, or if the appliance has been damaged in any manner. Contact Miele's Technical Service Department.

▶ Under no circumstances open the outer casing of the appliance.

▶ The combiset must not be installed outdoors.

▶ While the appliance is under warranty repairs should only be performed by an authorized service technician. Otherwise the warranty is void.

▶ In the event of any damage to the appliance, it must be turned off immediately and disconnected from the main power supply. Contact Miele's Technical Service Department. Do not use the appliance until it has been repaired. Ensure power is not supplied to the appliance until repair work is completed.

▶ Defective components should be replaced by Miele original spare parts only. Only with these parts can the manufacturer guarantee the safety of the appliance.

# IMPORTANT SAFETY INSTRUCTIONS

---

▶ Do not cook on a broken combiset. Any breakages or cracks in the ceramic surface of the appliance are defects and must be treated as such. If the combiset should break, cleaning solutions and spills may penetrate the broken combiset and create a risk of electric shock. Do not use the appliance until it has been repaired.

## Safety

- ▶ Individuals with a pacemaker or similar medical device: Please note that an electromagnetic field develops when the combiset is turned on. It is not likely that this will affect the pacemaker or similar device. If in doubt contact the manufacturer of the device or your doctor.
- ▶ Keep magnetized items, e.g. credit cards, disks, etc. away from the combiset while in operation. Damage may result.
- ▶ Do not touch the combiset or the surrounding areas during or immediately after use. The combiset may be hot even though it is dark in color. Wait until the residual heat indicators go out.
- ▶ Protect your hands with oven mitts or potholders when using the appliance. Use only dry, heat resistant potholders. Moist or damp potholders used on hot surfaces can result in steam burns. Do not let the potholder touch the hot heating elements. Do not use towels or other bulky items near the appliance.
- ▶ Do not heat unopened containers. Built-up pressure may cause the container to burst and result in injury.
- ▶ Do not flambé under an exhaust hood. Flames could be drawn up into the hood by the suction and the grease filters may ignite.

# IMPORTANT SAFETY INSTRUCTIONS

- ▶ Do not store items on the appliance when not in use. Items could melt or catch fire from residual heat or if the appliance is turned on inadvertently. Always switch the cooking zone(s) off after use.
- ▶ Flammable materials should not be stored on or near the appliance.
- ▶ The combiset is fitted with a cooling fan. Drawers under the combiset are not recommended. If a drawer is fitted directly underneath the combiset, ensure that there is sufficient space between the drawer, its contents and the underside of the appliance in order to ensure sufficient ventilation for the combiset. Do not store small items or paper in the drawer. They could get sucked into the housing by the fan and cause damage or impair cooling. Ensure that no aerosols, combustible liquids or other flammable materials are kept in this drawer. If cutlery inserts are to be placed in the drawer they must be made of heat-resistant material.
- ▶ Metallic items kept in a drawer under the combiset can become hot when the appliance is used for a longer period of time. Use caution.
- ▶ If the combiset is installed above a pyrolytic oven it should not be used during the pyrolytic process. The overheating protection feature of the combiset might be activated.
- ▶ Never cover the appliance with a cloth. A fire may result.
- ▶ Be aware of loose fitting or hanging garments when operating the appliance, they may present a fire hazard.
- ▶ Never leave a combiset unattended at high settings or when cooking with oil or fat. Overheated oil could ignite. Always heat oil slowly, monitoring it as it heats.
- ▶ Never heat an empty pan unless the pan manufacturer states that you can do so.
- ▶ Do not use water on grease fires. Smother or use a dry chemical or foam-type extinguisher on any fire or flame.
- ▶ Make certain that the power cords of small appliances do not come in contact with the appliance. The insulation of the cable could become damaged. Danger of electric shock!
- ▶ Be careful not to drop anything on the ceramic surface of the combiset. Even lightweight objects may cause damage.
- ▶ Use the proper pan size. Select cookware with flat bottoms large enough to cover the heating element. Using undersized cookware will expose a portion of the heating element and may result in ignition of clothing or handles becoming hot. The proper size pot or pan will also improve efficiency.

# IMPORTANT SAFETY INSTRUCTIONS

---

▶ Pot and pan handles should be turned inward and not extend over the countertop to reduce the risk of burns, ignition of flammable materials, and spills.

▶ Do not use pots or pans with pronounced edges or ridges on the ceramic combiset. These could scratch the combiset permanently. See "Cookware" for more information. Grains of salt and sand can cause scratches. Make sure that the bases of any pots and pans are clean, free of any fat or oils, and are dry.

▶ To prevent burns and breathing difficulty, allow the combiset to cool before cleaning. Some cleaners may produce toxic fumes if applied to a hot surface.

▶ Keep the combiset clean. Salt, sugar, and grit can cause scratches.

▶ When wiping spills on a hot combiset with a wet sponge or cloth, be careful to avoid steam burns.

▶ Do not let flammable materials, i.e. cooking grease, accumulate on the appliance.

▶ Do not use a steam cleaner to clean this appliance. Steam could penetrate electrical components and cause a short circuit.

▶ Do not allow solid or liquid sugar, pieces of plastic or foil to fall on the burner when hot. If these residues are allowed to cool on the ceramic surface pitting or even cracking may occur.

▶ Any spills should be removed as quickly as possible to prevent them from burning on and becoming difficult to remove.

The manufacturer cannot be held liable for damage caused by non-compliance with these Important Safety instructions.

**SAVE THESE INSTRUCTIONS  
AND REVIEW THEM  
PERIODICALLY**

# SAFETY INSTRUCTIONS FOR INSTALLATION

## Note to the installer:

**Please leave this instruction book with the consumer for the local electrical inspector's use.**

The minimum distances given in these Installation Instructions must be observed in order to ensure safe operation. Failure to do so increases the risk of fire.

The cabinetry and venting hood should be installed first to prevent damage to the appliance.

- ▶ The countertop must be bonded with heat resistant (212 °F/100 °C) adhesive to prevent distortion or dissolving. Any back splashes must be heat-resistant as well.
- ▶ The appliance must not be installed over a dishwasher, washer, dryer, refrigerator or freezer. Heat radiated by the appliance may damage them.
- ▶ To eliminate the risk of burns or fire by reaching over heated surfaces cabinet storage space above the appliance should be avoided. If cabinet storage is necessary, the risk can be reduced by installing a venting hood to project horizontally a minimum of 5" (127 mm) beyond the bottom of the cabinets.

▶ This appliance has not been designed for maritime use or for use in mobile installations such as recreational vehicles or aircraft. However, under certain conditions it may be possible for installation in these applications. Please contact the Miele Technical Service Department with specific requirements.

▶ You must ensure the power cord for the appliance will not be subject to any mechanical strain after installation.

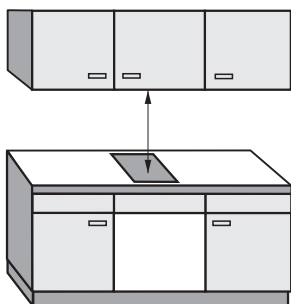
▶ If a protective base is installed beneath the appliance, a minimum distance of 1 <sup>9</sup>/<sub>16</sub>" (40 mm) between the top of the protective base and the bottom of the appliance must be maintained.

▶ The appliance must not be permanently sealed into the countertop when installed. The sealing strip under the edge of the appliance provides a sufficient seal for the countertop. See "Sealing".

**Keep this instruction book in a safe place for reference and pass it on to any future user.**

# SAFETY INSTRUCTIONS FOR INSTALLATION

## Safety distances above the appliance



The minimum safety distance given by the hood manufacturer must be maintained between the combiset and the hood above it. See the installation instructions of the hood for these safety measurements.

If the hood manufacturers instructions are not available or if flammable objects are installed over the combiset (e.g. cabinets, utensil rail, etc.), a minimum safety distance of 30" (760 mm) must be maintained.

If there is more than one appliance beneath a hood (e.g. wok burner and electric combiset), and they have different minimum safety distances always observe the greater distance.

# SAFETY INSTRUCTIONS FOR INSTALLATION

## Safety distances to the sides of the appliance

The appliance should only be installed as shown in the illustrations, while maintaining the required safety distances shown. Do not install the appliance between two tall cabinets, this is a fire hazard.

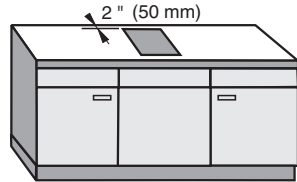
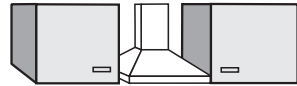
A distance of at least 2" (50 mm) must be kept between the countertop cut-out and the rear wall because of the high temperatures radiated.

The minimum distance ① between the worktop cut-out and a wall or tall unit to the right or left of it is:

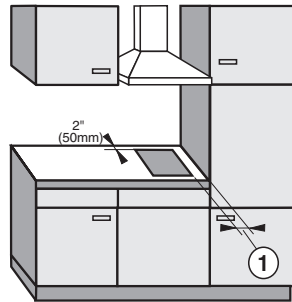
**2" (50 mm)** for CS 1112  
CS 1122  
CS 1212  
CS 1221  
CS 1223  
CS 1326  
CS 1411

**6" (150 mm)** for CS 1312  
CS 1322  
CS 1421

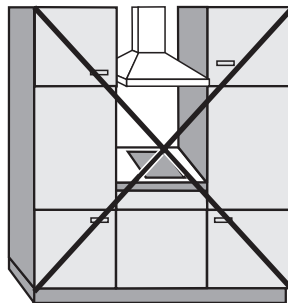
**10" (250 mm)** for CS 1011  
CS 1012  
CS 1028



**recommended**



**not recommended**

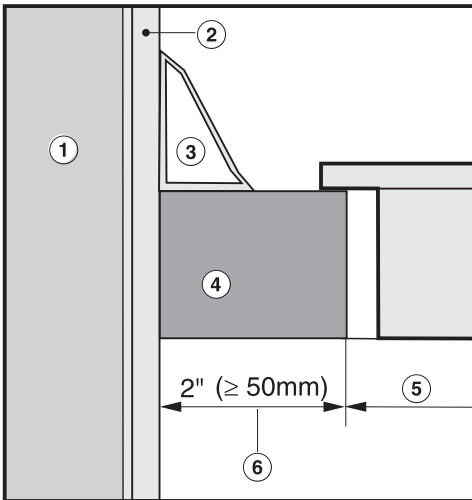


**not permitted**

## Safety distance when installing the appliance near a wall with trim or a back splash

A minimum distance of 2" (50 mm) between the trim or back splash and the countertop cut-out if required.

This distance is only necessary if these items are made of combustible materials e.g. wood. If the trim or back splash is made of a non-combustible material, the required safety distance can be reduced by the thickness of the wall covering material.

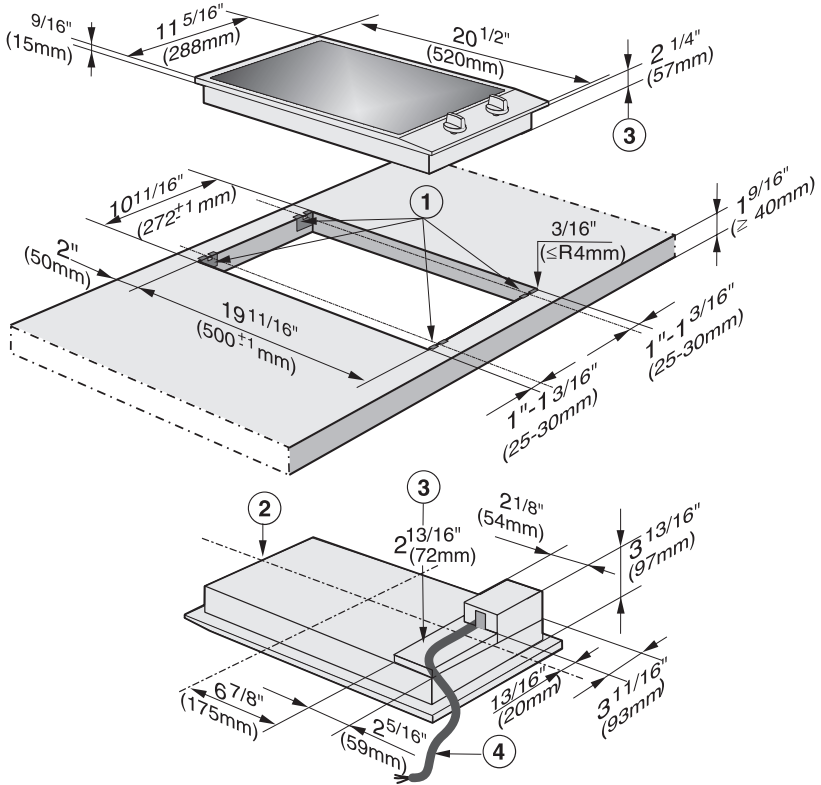


- ① Wall frame
- ② Sheet rock or wall board
- ③ Trim or back splash
- ④ Countertop
- ⑤ Countertop cut-out
- ⑥ 2" (50 mm) minimum clearance

# Installation

## Installation dimensions

### CS 1212



- ① Spring clips
- ② Appliance front
- ③ Installation height
- ④ Power supply box with connection cable



# Installation

---

## Cut out

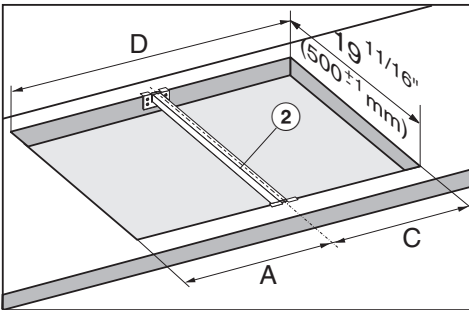
- Make the worktop cut-out for one or more appliances as applicable. Remember to maintain a **minimum safety distance** from the **back wall**, as well as from any **tall unit or side wall** to the right or left of the appliance(s). See also "SAFETY INSTRUCTIONS FOR INSTALLATION".
- Seal the cut surfaces with a suitable sealant to avoid swelling caused by moisture. The materials used must be heat resistant.

If during installation the seal around the frame does not sit flush with the countertop in the corners, the corner radius, maximum  $\frac{3}{16}$ " (4 mm), can be carefully filed down to fit.

## Installation of multiple appliances

When installing more than one combiset appliance, a support bar ② must be installed between the appliances.

### Countertop cut-out two appliances

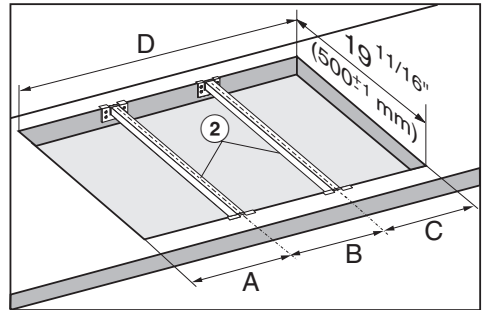


For the installation of **two appliances** the width of the countertop cut-out D is the sum of A and C.

**A, B** and **C** = appliance widths  
 $11 \frac{5}{16}$ " ,  $15$ " or  $22 \frac{11}{16}$ "  
 (288 mm, 380 mm or 576 mm)  
**minus  $\frac{5}{16}$ " (8 mm)** to allow for the overhang

**D** = width of the countertop cut-out

### Countertop cut-out three appliances



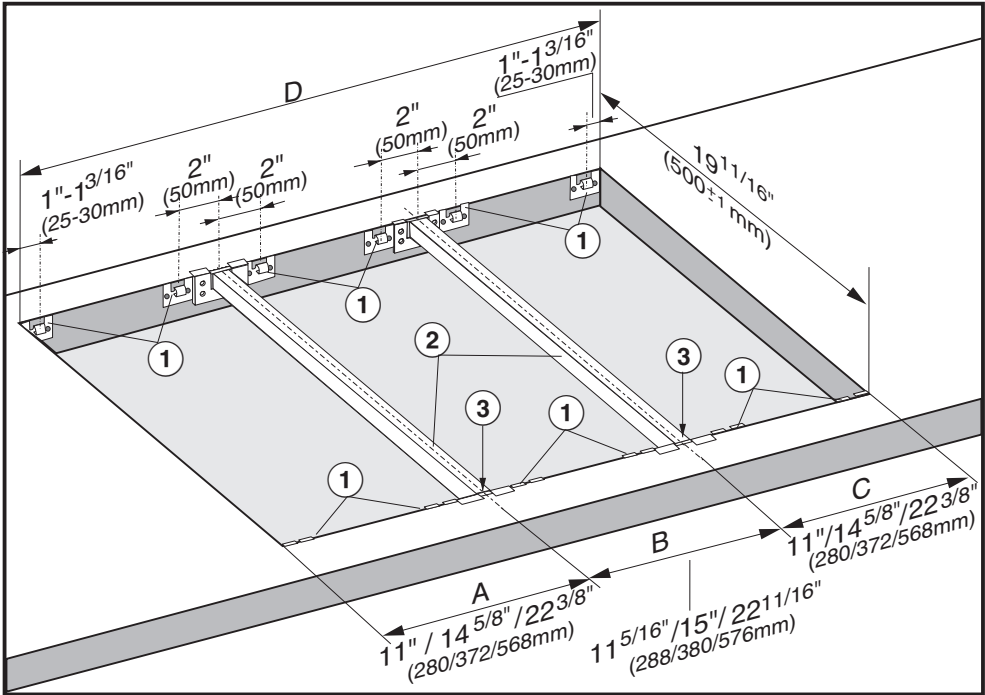
For the installation of **three appliances** the width of the countertop cut-out D is the sum of A and B and C.

If **more than three appliances** are being installed, you will need to add, A, B or C for each additional appliance.

# Installation

## Sample calculations for a countertop cut-out for three appliances

<b>A</b> appliance width minus $\frac{5}{16}$ " (8 mm)	<b>B</b> appliance width	<b>C</b> appliance width minus $\frac{5}{16}$ " (8 mm)	<b>D</b> <b>Countertop cut-out</b>
11" (280 mm)	$11 \frac{5}{16}$ " (288 mm)	11" (280 mm)	$33 \frac{3}{8}$ " (848 mm)
11" (280 mm)	15" (380 mm)	$14 \frac{5}{8}$ " (372 mm)	$40 \frac{5}{8}$ " (1032 mm)
11" (280 mm)	$22 \frac{11}{16}$ " (576 mm)	$22 \frac{3}{8}$ " (568 mm)	$56 \frac{1}{16}$ " (1424 mm)
$14 \frac{5}{8}$ " (372 mm)	$11 \frac{5}{16}$ " (288 mm)	11" (280 mm)	37" (940 mm)
$14 \frac{5}{8}$ " (372 mm)	15" (380 mm)	$14 \frac{5}{8}$ " (372 mm)	$44 \frac{1}{4}$ " (1124 mm)
$14 \frac{5}{8}$ " (372 mm)	$22 \frac{11}{16}$ " (576 mm)	$22 \frac{3}{8}$ " (568 mm)	$59 \frac{11}{16}$ " (1516 mm)
$22 \frac{3}{8}$ " (568 mm)	$11 \frac{5}{16}$ " (288 mm)	11" (280 mm)	$44 \frac{3}{4}$ " (1136 mm)
$22 \frac{3}{8}$ " (568 mm)	15" (380 mm)	$14 \frac{5}{8}$ " (372 mm)	52" (1320 mm)
$22 \frac{3}{8}$ " (568 mm)	-	$22 \frac{3}{8}$ " (568 mm)	$44 \frac{3}{4}$ " (1136 mm)



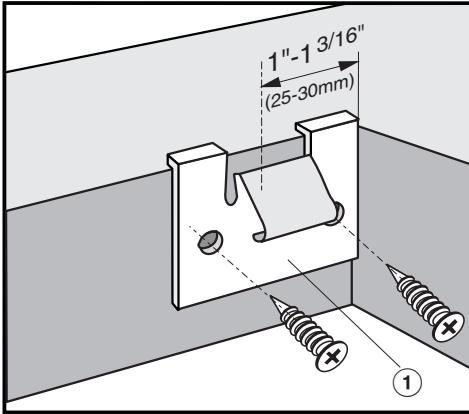
- ① Spring clips
- ② Support bars
- ③ Space between support bar and countertop

An additional support bar is required for each additional appliance. The position for attachment of an additional spacing strip depends on the width of the appliance **B**.

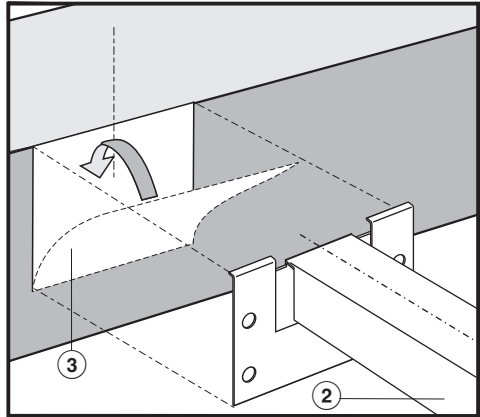
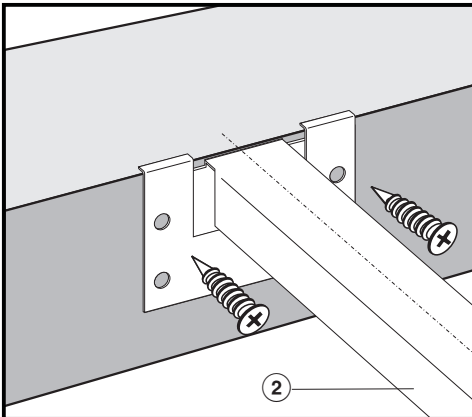
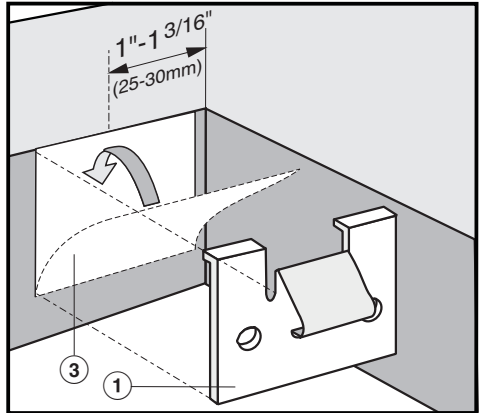
# Installation

## Attach the spring clips and support bars

### Wood or solid surface countertops



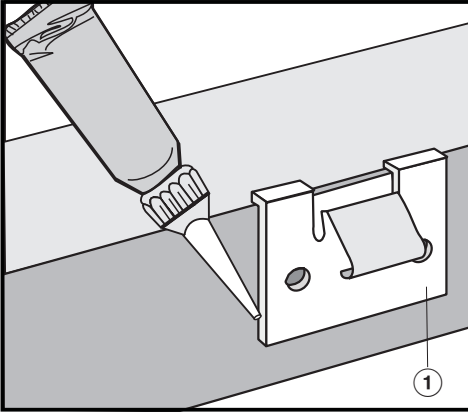
### Granite countertop



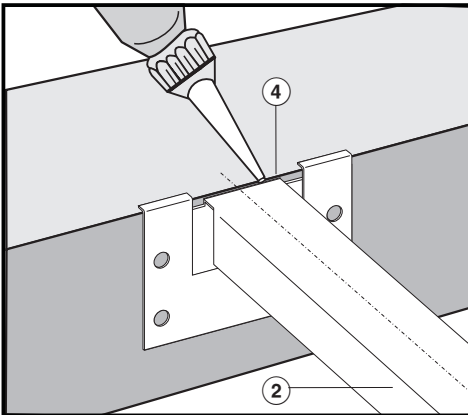
- Place the supplied spring clips ① and the support bars ② at the marked positions as shown above, by laying them on the upper edge of the cut-out and then securing them with the  $\frac{1}{8}$ " x 1" (3.5 x 25 mm) screws (supplied).

- Position and attach the spring clips ① and support bars ② with strong, double-sided tape ③.

The screws are not needed for granite countertops.



- Coat the edges of the spring clips ①,



- and the space ④ between the strips ② and the countertop with silicone (supplied).

# Installation

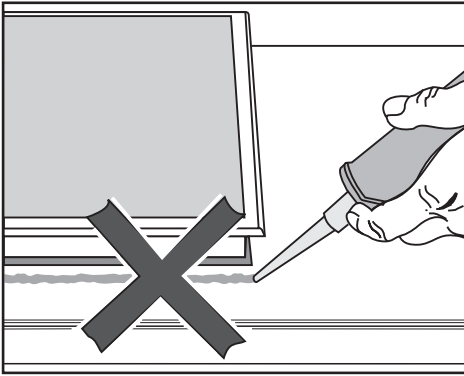
---

## Installing the appliance

- Feed the power cord down through the cut-out.
- Then place the front side of the appliance in the countertop cut-out.
- Then with a hand on each side of the appliance press down evenly on the edges until it clicks into position. When doing so make sure that the appliance seal sits tightly on the countertop to ensure it is sealed correctly. **Do not** permanently seal into the countertop.
- Connect the appliance to the main power supply.
- Turn the appliance on and check the function.

The appliance can be lifted out using a special tool.  
The appliance can also be pushed up and out from underneath. Note that the rear will need to be pushed out first.

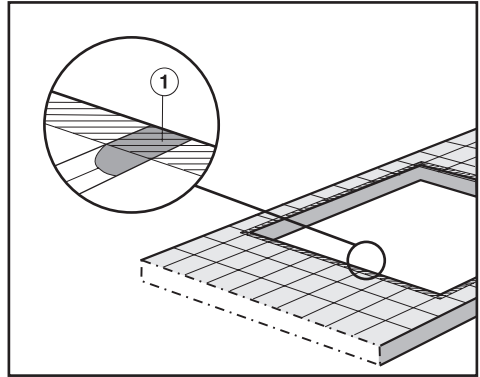
## Sealing



The appliance must not be permanently sealed into the countertop when installed. The sealing strip under the edge of the appliance provides a sufficient seal for the countertop.

If the appliance is sealed into position, the countertop or appliance could be damaged if it needs to be removed for maintenance or service.


## Tiled surfaces



The grouting ① and shaded area under the appliance frame must be flat and even, so that the frame will lie evenly and the sealing strip under the edge of the upper part of the appliance can provide an adequate seal against the countertop.

# Electrical connection

---

 **CAUTION:** Before installation or servicing, disconnect the power supply by either removing the fuse, shutting off the main power supply or manually "tripping" the circuit breaker.

Installation work and repairs should only be performed by a qualified technician in accordance with all applicable codes and standards. Repairs and service by unqualified persons could be dangerous and the manufacturer will not be held responsible.

Before connecting the appliance to the power supply, make sure that the voltage and frequency listed on the data plate correspond with the household electrical supply. This data must correspond to prevent appliance damage. Consult an electrician if in doubt.

Only operate the combiset after it has been installed into the countertop.

## Power supply

- Be sure your electrical supply matches the data plate.

The combiset is equipped with a flexible metal conduit encasing 3 wires ready for connection to a grounded power supply.

A dedicated line and junction box should be used to connect the combiset to a 15 A circuit.

Black wire: connect to L1 (hot)

Red wire: connect to L2 (hot)

Green wire: connect to GND (ground)

240 V, 60 Hz, 15 A fuse rating.

Be sure the power outlet is accessible after installation.

For further information, see the wiring diagram provided with the appliance.

 **WARNING:**  
**THIS APPLIANCE MUST BE GROUNDED!**

**Installer:**  
**Please leave these instructions with the consumer.**



## **Miele Limited**

### **Headquarters and Showroom**

161 Four Valley Drive

Vaughan, ON L4K 4V8

Phone: 800-643-5381

905-660-9936

Fax: 905-532-2290

[www.miele.ca](http://www.miele.ca)

[info@miele.ca](mailto:info@miele.ca) (general enquiries)

[professional@miele.ca](mailto:professional@miele.ca) (commercial enquiries)

### **MieleCare National Service**

Phone: 800-565-6435

905-532-2272

Fax: 905-532-2292

[customercare@miele.ca](mailto:customercare@miele.ca) (technical enquiries)