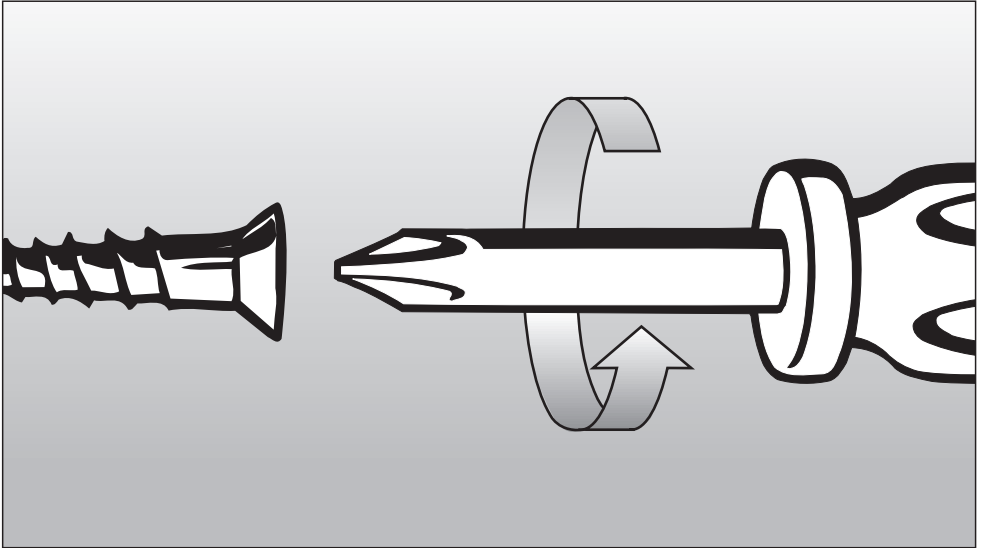


## Installation Instructions



### Ceramic Cooktops

KM 421

KM 424

KM 427

To prevent accidents  
and machine damage,  
read these instructions  
**before** installation or use.



# Contents

---

<b>Important safety instructions</b> . . . . .	3
Installation . . . . .	3
Safety distance above the cooktop . . . . .	4
<b>Appliance and cut-out dimensions</b> . . . . .	5
KM 421. . . . .	5
KM 424. . . . .	6
KM 427. . . . .	7
<b>Installation</b> . . . . .	8
Installing the spring clips. . . . .	8
Granite countertops. . . . .	8
Installing the cooktop. . . . .	9
<b>Electrical connection</b> . . . . .	10

# Important safety instructions

## Note to the installer:

Please leave these instructions with the consumer.

## Installation

The minimum distances given in these instructions must be observed to ensure safe operation and to reduce the risk of fire.

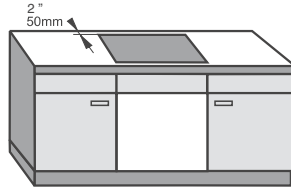
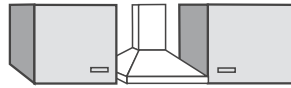
To prevent damage, install cabinetry and the venting hood before installing the cooktop.

The countertop must be bonded with heat resistant (212 °F/100 °C) adhesive to prevent distortion or dissolving.

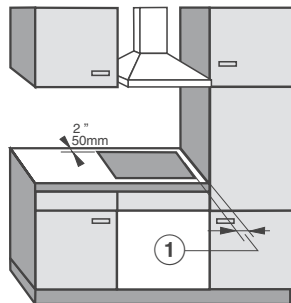
The cooktop should only be installed as shown in the illustrations, while maintaining the required safety distances shown. Do not install the cooktop between two tall cabinets as this is a fire hazard.

A minimum distance of 2" (50 mm) from the cooktop to the rear wall and a side wall must be maintained for safety.

To eliminate the risk of burns or fire by reaching over heated surfaces, cabinet storage space above the cooktop should be avoided. If cabinet storage is necessary, the risk can be reduced by installing a venting hood to project horizontally a minimum of 5" beyond the bottom of the cabinets.

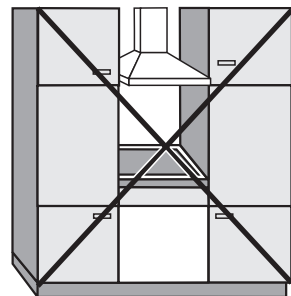


recommended



not recommended

- ① Minimum distance between the cooktop and a wall or cabinet = 2" (50 mm)



not allowed

# Important safety instructions

This equipment has not been designed for maritime use or for use in mobile installations such as aircraft or recreational vehicles. However, under certain circumstances it may be possible for an installation in these applications. Please contact the nearest Miele Dealer or the Miele Technical Service Department with specific requirements.

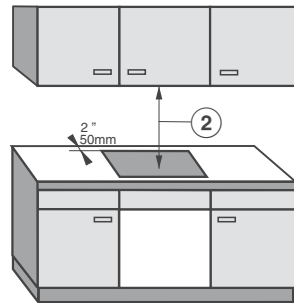
Because of the heat radiated from this type of appliance we do not recommend installing it over a drawer. It should be installed in a cabinet base unit with a dummy drawer front and an additional protective barrier beneath the unit.

If there is a drawer directly underneath the cooktop, do not store aerosols, combustible liquids or easily flammable materials in it. If cutlery inserts are placed in the drawer, they must be heat resistant.

The cooktop must not be installed over a dishwasher, washing machine, dryer, refrigerator or freezer. The high radiant temperatures radiating downwards from this type of cooktop could damage these appliances.

Make sure that the power cord to the cooktop does not come into contact with any mechanical parts once the cooktop has been installed.

## Safety distance above the cooktop



As a general rule there must be a safety distance of at least 30" (760 mm) ②, between the appliance and any flammable objects above, e.g. cabinetry, venting hood or utensil rail. If the manufacturer of these items states a different figure, then this safety distance should be followed.

If more than one appliance is installed beneath a venting hood, and they have different minimum safety distances to the hood, select the higher safety distance of the two.

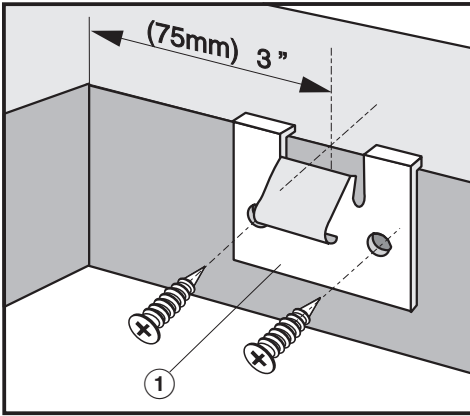






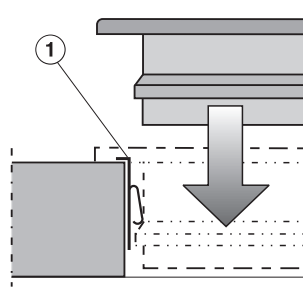
# Installation

## Installing the spring clips



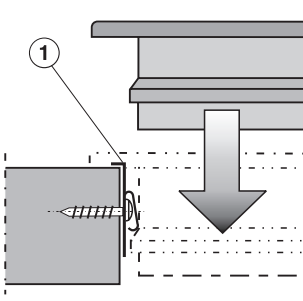
- Fix the supplied spring clips, ①, at the marked positions as shown above, by laying them on the upper edge of the cut-out and then securing them with the 3.5 x 25 mm screws supplied.

## Granite countertops

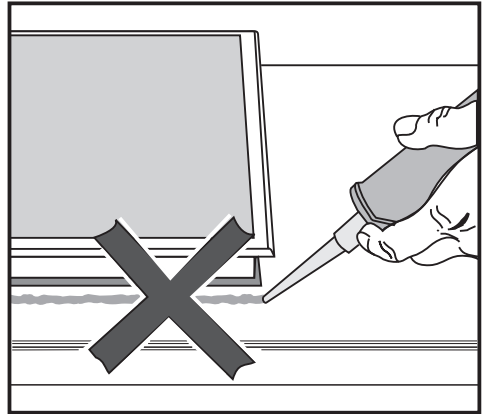


For granite countertops, the spring clips, ②, must be placed in position and secured with double-sided tape. In addition, coat the edges of the spring clips with silicone sealant. The screws are not needed for granite countertops.

## Installing the cooktop



- Feed the power cord down through the cut-out and connect the appliance to the power supply.
- Position the cooktop on the spring clips, ①.
- Then with a hand on each side of the cooktop press down on the edges evenly until it clicks into position. When doing so make sure that the cooktop seal sits tightly on the countertop to ensure a correct seal is provided. The cooktop can now only be removed with a special tool.



The cooktop must not be permanently sealed into the countertop when installed.

If the cooktop is sealed into position, the countertop or appliance could be damaged if the cooktop needs to be removed for maintenance or service. The sealing strip under the edge of the top part of the cooktop provides a sufficient seal for the countertop.

# Electrical connection

---

## **Caution:**

All electrical work should be performed by a qualified electrician in accordance with local and national codes.

Disconnect the appliance from the main power supply before servicing. To reduce the risk of electric shock, make sure that the appliance is properly grounded after installation.

## **WARNING:**

### **THIS APPLIANCE MUST BE GROUNDED**

The appliance is provided with 3 leads; L1 (black), L2 (red) and GND (green). They must be connected to a dedicated line through the use of an approved junction box.

For further information, see the wiring diagram provided with the appliance.

## **Power supply:**

### **Please check the data plate.**

KM 421:

- 240 VAC, 60 Hz, 30 A fuse rating,
- 208 VAC, 60 Hz, 30 A fuse rating.

KM 424:

- 240 VAC, 60 Hz, 40 A fuse rating,
- 208 VAC, 60 Hz, 40 A fuse rating.

KM 427:

- 240 VAC, 60 Hz, 50 A fuse rating,
- 208 VAC, 60 Hz, 50 A fuse rating.

### **Make sure your electrical supply matches the data plate.**

## **Note to the installer:**

### **Please leave these instructions with the consumer.**





**Miele, Inc.** (USA)

**National Headquarters**

9 Independence Way  
Princeton, NJ 08540  
Phone: 800-843-7231  
609-419-9898  
Fax: 609-419-4298  
[www.mieleusa.com](http://www.mieleusa.com)

**Technical Service & Support**

**Nationwide**

Phone: 800-999-1360  
Fax: 888-586-8056

**Mid-West Region**

Phone: 847-714-9433  
Fax: 847-714-9434

**South-East Region**

Phone: 561-995-8030  
Fax: 561-995-8083

**West-Coast Region**

Phone: 800-245-8215  
Fax: 415-241-6822

**Miele Limited** (CDN)

**National Headquarters**

55G East Beaver Creek Road  
Richmond Hill, ON L4B 1E5  
Phone: 800-565-6435  
905-707-1171  
Fax: 905-707-0177  
[www.miele.ca](http://www.miele.ca)  
[info@miele.ca](mailto:info@miele.ca) (general enquiries)  
[service@miele.ca](mailto:service@miele.ca) (tech. service)

**Technical Service & Support**

**Ontario Region**

Phone: 905-707-1171  
Fax: 905-707-0177

**Quebec Region**

Phone: 877-636-4353  
Fax: 514-277-1838

**British Columbia Region**

Phone: 604-434-1300  
Fax: 604-434-1309