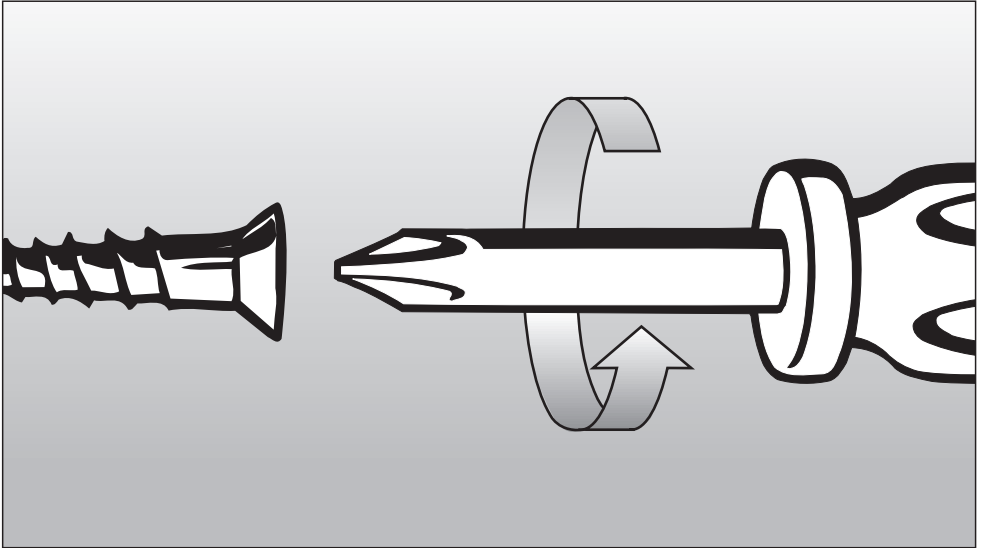


Installation instructions



Ceramic Cooktop KM 452

To prevent accidents
and machine damage,
read these instructions
before installation or use.



Contents

Warning and Safety instructions	4
Installation	4
Safety distance above the appliance	5
Appliance dimensions and countertop cut-out	6
KM 452	6
Installation	7
Installing the spring clips	7
Granite countertops	7
Installing the cooktop	8
Electrical connection	9

IMPORTANT SAFETY INSTRUCTIONS

Note to the installer:
Please leave this instruction book with the consumer for the local electrical inspector's use.

Installation

The minimum distances given in these Installation Instructions must be observed in order to ensure safe operation. Failure to do so increases the risk of fire.

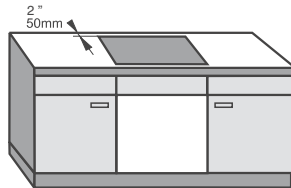
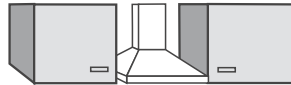
To prevent damage, install cabinetry and the venting hood before installing the cooktop.

■ The countertop must be bonded with heat resistant (212 °F / 100 °C) adhesive to prevent distortion.

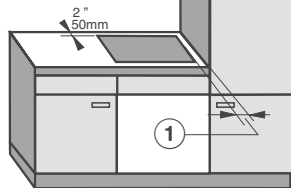
■ The cooktop can only be installed as shown in the illustrations, while maintaining the required safety distances shown. Do not install the cooktop between 2 tall cabinets as this is a fire hazard.

A minimum distance of 2" (50 mm) from the cooktop to the rear wall and a side wall must be maintained for safety.

■ To eliminate the risk of burns or fire by reaching over heated surfaces, cabinet storage space above the cooktop should be avoided. If cabinet storage is necessary, the risk can be reduced by installing a venting hood to project horizontally a minimum of 5" (127mm) beyond the bottom of the cabinets.

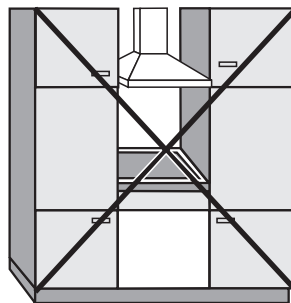


recommended



not recommended.

① Minimum distance between the cooktop and a wall or cabinet = 2" (50 mm)



not allowed

IMPORTANT SAFETY INSTRUCTIONS

■ This equipment has not been designed for maritime use or for use in mobile installations such as aircraft or recreational vehicles. However, under certain circumstances it may be possible for an installation in these applications. Please contact the nearest Miele Dealer or Technical Service Department with specific requirements.

■ Because of the heat radiated downwards from this type of appliance we do not recommend installing it over a drawer. It should be installed in a cabinet base unit with a dummy drawer front and an additional protective base between the appliance and the cabinetry.

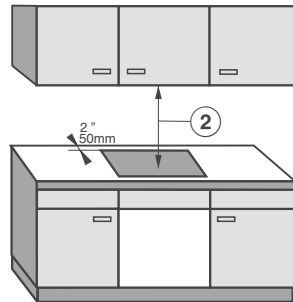
If, in spite of this, there is a drawer directly underneath the cooktop, do not store aerosols, combustible liquids or easily flammable materials in it. If cutlery inserts are placed in the drawer, they must be heat resistant.

■ The cooktop must not be installed over a dishwasher, a washing machine or tumble dryer, or over a refrigerator or freezer. The high radiant temperatures radiating downwards from this type of cooktop could damage these appliances.

■ Make sure that the power cord to the cooktop does not come into contact with any mechanical parts once the cooktop has been installed.

■ Observe local building codes.

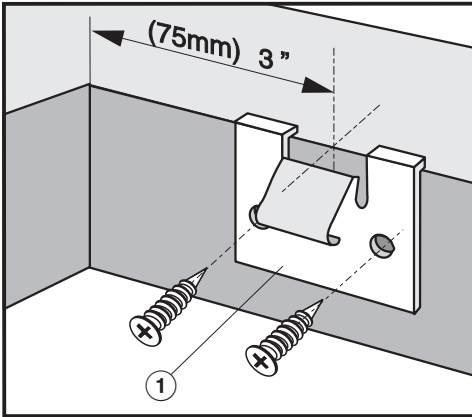
Minimum safety distance above the appliance



- ② Maintain a safety distance of at least 30" (760 mm) between the appliance and any flammable objects above, e.g. cabinetry, venting hood or utensil rail. If the manufacturer of these items states a different figure, then this safety distance should be adhered to.

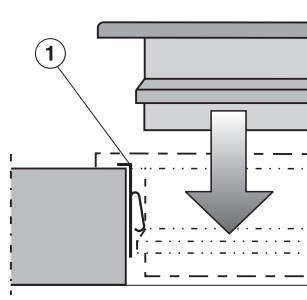
If more than one appliance is installed beneath a venting hood, and they have different minimum safety distances to the hood, adhere to the greater safety distance.

Installing the spring clips



- Fix the supplied spring clips ① at the marked positions as shown above, by laying them on the upper edge of the cut-out and then securing them with the 3.5 x 25 mm screws supplied.

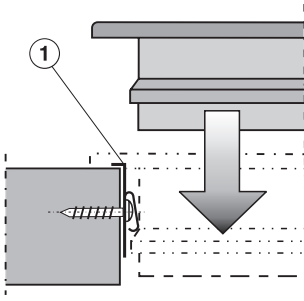
Granite countertops



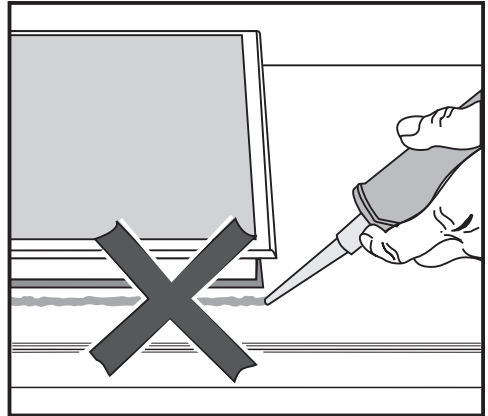
For granite countertops, the spring clips ① must be placed in position and secured with strong, double-sided adhesive tape. In addition coat the edges of the spring clips with silicone sealant. The screws are not needed for granite countertops.

Installation

Installing the cooktop




- Feed the power cord down through the cut-out and connect the appliance to the power supply.
- Position the cooktop on the spring clips ①.
- Then with a hand on each side of the cooktop press down on the edges evenly until it clicks into position. When doing so make sure that the cooktop seal sits tightly on the countertop to ensure a correct seal is provided. The cooktop can now only be removed with a special tool.



The cooktop must not be permanently sealed into the countertop when installed.

If the cooktop is sealed into position, the countertop or appliance could be damaged if the cooktop needs to be removed for maintenance or service. The sealing strip under the edge of the top part of the cooktop provides a sufficient seal for the countertop.

 **CAUTION:** Before servicing, disconnect the power supply by either removing the fuse, shutting off the power main or manually "tripping" the circuit breaker.

Installation work and repairs should only be performed by a qualified technician in accordance with all applicable codes and standards. Repairs and service by unqualified persons could be dangerous and the manufacturer will not be held responsible.

Before connecting the appliance to the power supply, make sure that the voltage and frequency listed on the data plate correspond with the household electrical supply. This data must correspond to prevent machine damage. Consult an electrician if in doubt.

Only operate the cooktop after it has been installed into the countertop.

Installer:
Please leave these instructions with the consumer.

Power supply

The cooktop is equipped with a flexible power cord consisting of 3 wires ready for connection to a grounded power supply:

- 120/240 V, 60 Hz, 50 A fuse rating
- or
- 120/208 V, 60 Hz, 50 A fuse rating


Black wire: connect to L1 (hot)

Red wire: connect to L2 (hot)

Green wire: connect to GND (ground)

A dedicated line and junction box should be used to connect the cooktop to a 50 A circuit.

For further information, see the wiring diagram provided with the appliance.

 **WARNING:**
THIS APPLIANCE MUST BE GROUNDED!



Miele, Inc. (USA)

National Headquarters

9 Independence Way
Princeton, NJ 08540
Phone: 800-843-7231
609-419-9898
Fax: 609-419-4298
www.mieleusa.com

Technical Service & Support

Nationwide

Phone: 800-999-1360
Fax: 888-586-8056

Mid-West Region

Phone: 800-666-6740
Fax: 847-714-9434

South-East Region

Phone: 561-995-8030
Fax: 561-995-8083

West-Coast Region

Phone: 800-245-8215
Fax: 415-241-6822

Miele Limited (CDN)

National Headquarters

55G East Beaver Creek Road
Richmond Hill, ON L4B 1E5
Phone: 800-565-6435
905-707-1171
Fax: 905-707-0177
www.miele.ca
info@miele.ca (general enquiries)
service@miele.ca (tech. service)

Technical Service & Support

Ontario Region

Phone: 905-707-1171
Fax: 905-707-0177

Quebec Region

Phone: 877-636-4353
Fax: 514-277-1838

British Columbia Region

Phone: 604-434-1300
Fax: 604-434-1309