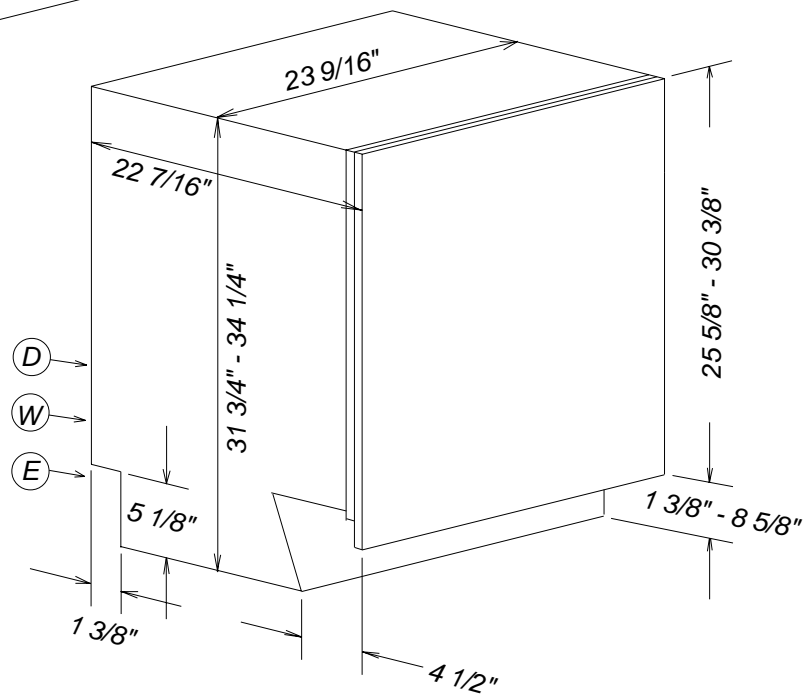
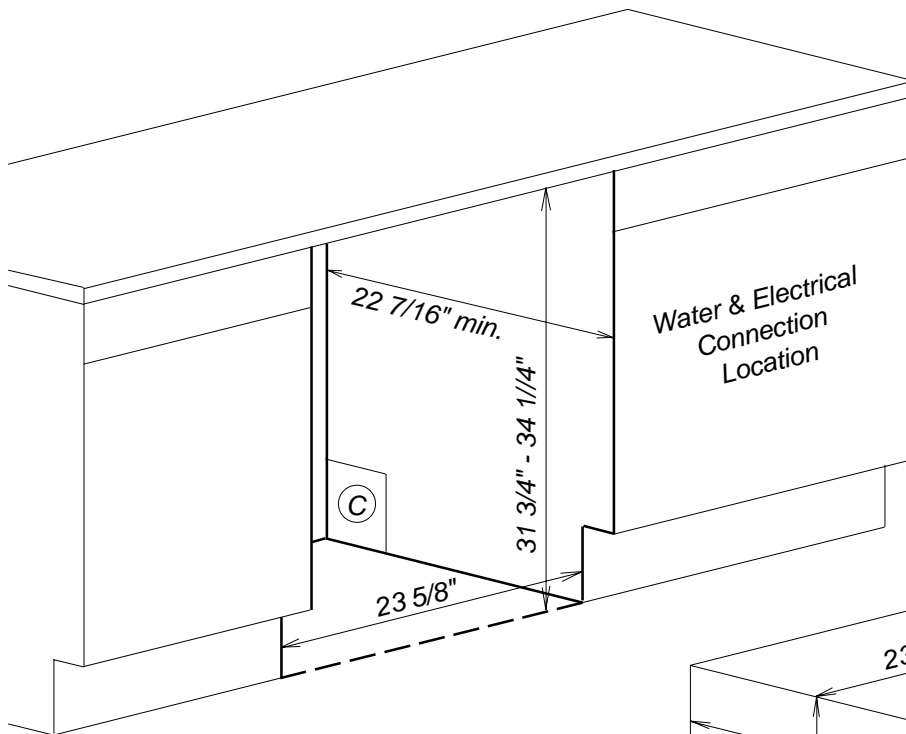


Product and Cut-out Dimensions G1000 Series Dishwashers Fully Integrated Models



Location Codes
C - Cutout (2 1/4" x 4") for Water, Drain and Electric pass-through. Adjust according to water and drain location.
D - 5 foot flexible drain hose connects lower center rear.
E - 5 foot - 120 Volt - 15 Amp 3-wire molded plug power supply connects lower left rear.
W - 5 foot "Double Waterproof" flexible water intake hose connects lower center rear.
Notes
<ul style="list-style-type: none"> All Installations must be done in accordance with local codes

NOTE: Drawing is not to scale.
SPECIFICATION SHEETS 010106

Front Panel Information

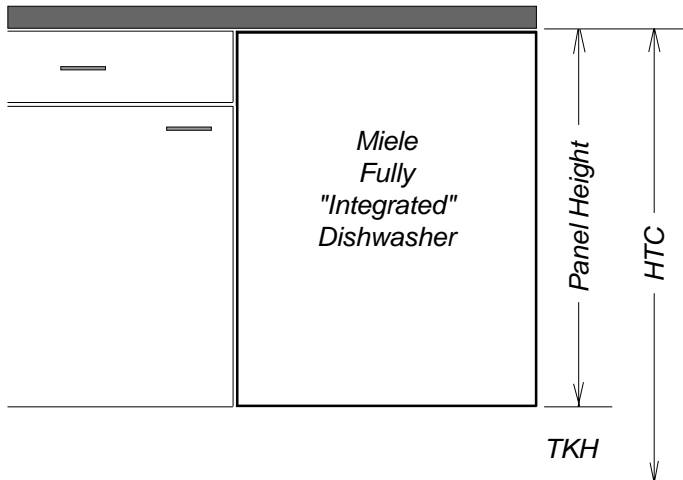
G1000 Fully Integrated Models



Custom Panel Installations

Some Miele dishwashers do not come equipped with a front panel. These dishwashers are designed to accept a custom door panel supplied by the cabinet maker.

Panel size is determined in the following manner:



Width: 23 7/16" in all cases

Thickness: 3/4" in all cases

Height: Determined using the following calculation:

$$\text{Panel Height} = \text{HTC} - \text{TKH}$$

HTC = Height to the underside of countertop

TKH = Toe Kick Height

Note: Control Panel is along the top edge of the unit. It is not visible when the unit is closed.

A handle **MUST** be located on the front panel in order to open the unit

Maximum Panel Height: 30 3/8"

Minimum Panel Height: 25 5/8"

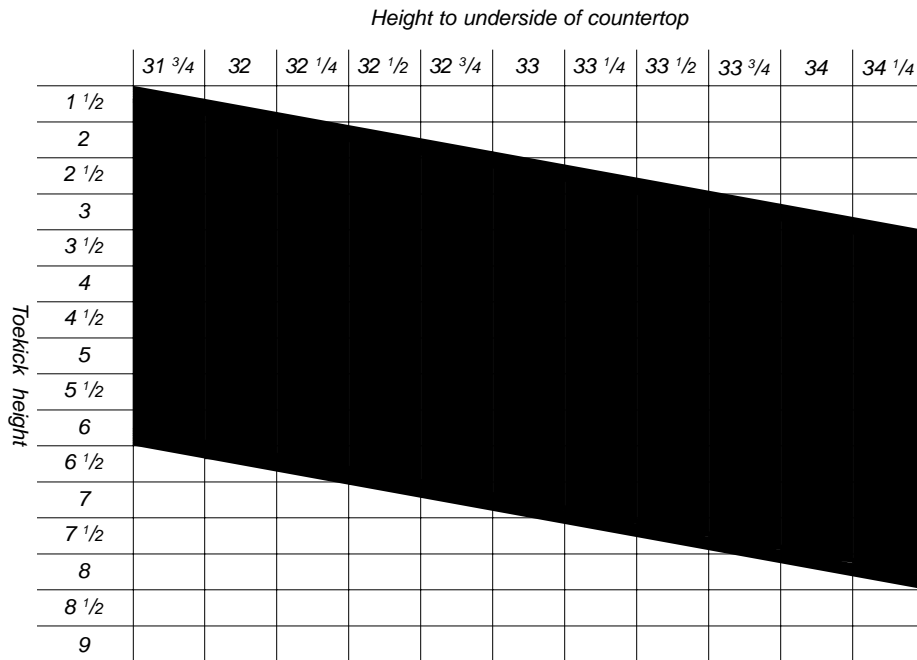
Maximum Panel Weight: 21Pounds

GFVi Panel Installations

Miele offers pre-fabricated stainless steel panels for all fully integrated units. These panels are designed for various toekick heights and offer a choice of handle options.

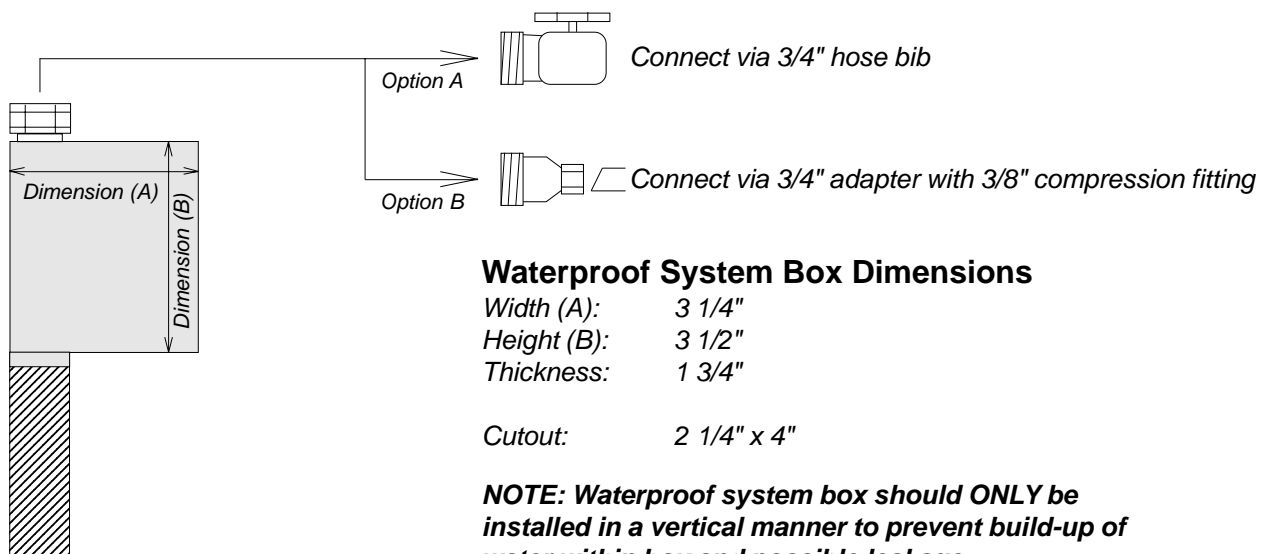
Installation Information

G1000 Dishwashers



Acceptable combinations

Water Connection



Waterproof System

Temperature: 110° - 130° F
 Pressure: 4.5 - 145 PSI
 Drain hose: 7/8" ID - 5 feet long

NOTE: Drawing is not to scale.
 SPECIFICATION SHEETS 010106