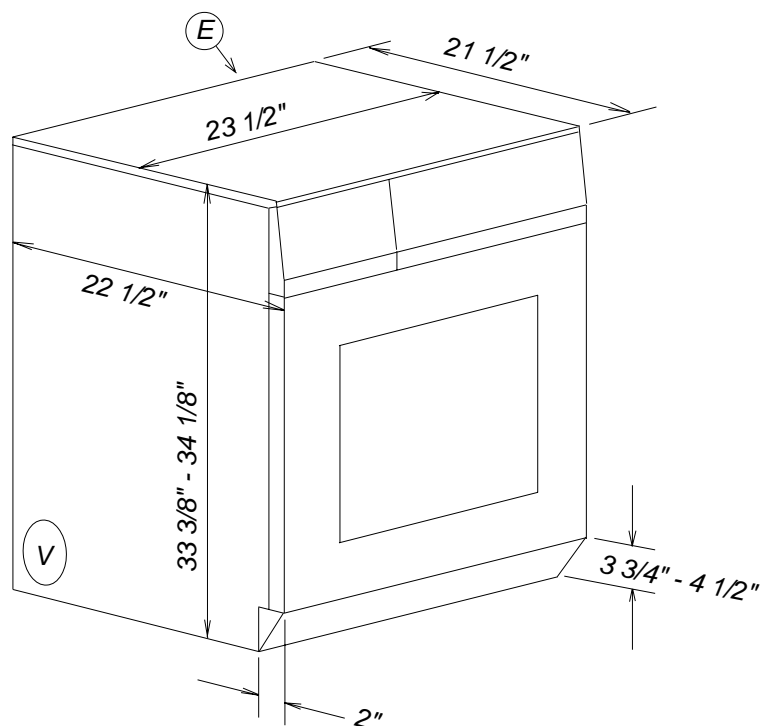


Product Dimensions

Vented Dryer
Angled control
T8003 / T8005



Location Codes

- E - 208/240 Volt, 30 Amp 5 foot molded plug power supply connects upper right rear (NEMA 14-30 Configuration).
- V- Venting location may be adjusted to lower right or left side or lower left rear (see separate sheet).

Notes

- **All installations must be done in accordance with local codes**
- See "Cut-out Dimensions" sheet for undercounter or built-in space requirements

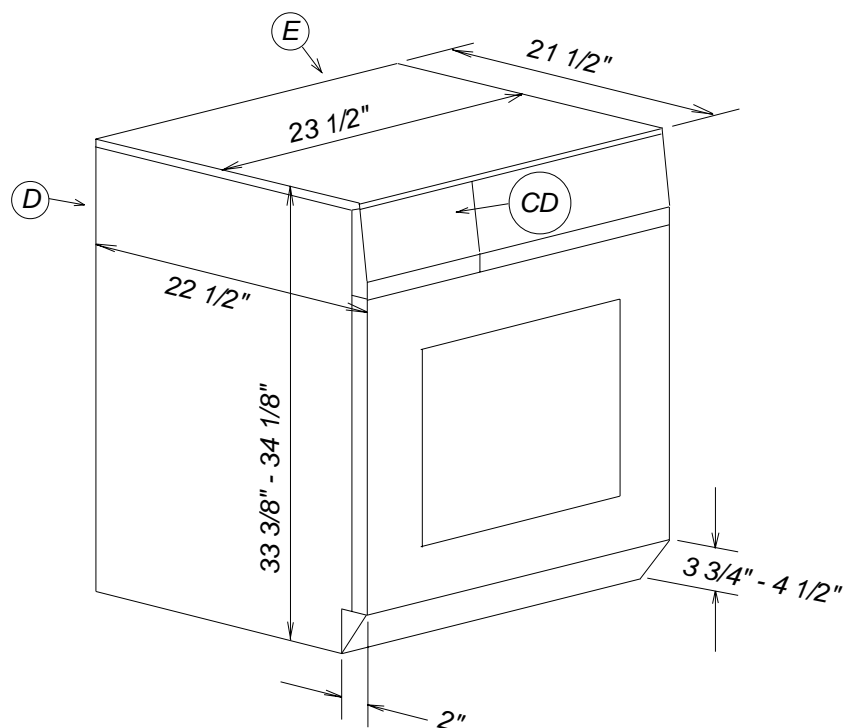
NOTE: Drawing is not to scale.
SPECIFICATION SHEETS 010107

Product Dimensions

Condenser Dryer

Angled control

T8013C



Location Codes

E - 208/240 Volt, 30 Amp 5 foot molded plug power supply connects upper right rear (NEMA 14-30 Configuration).

V- Venting location may be adjusted to lower right or left side or lower left rear (see separate sheet).

Notes

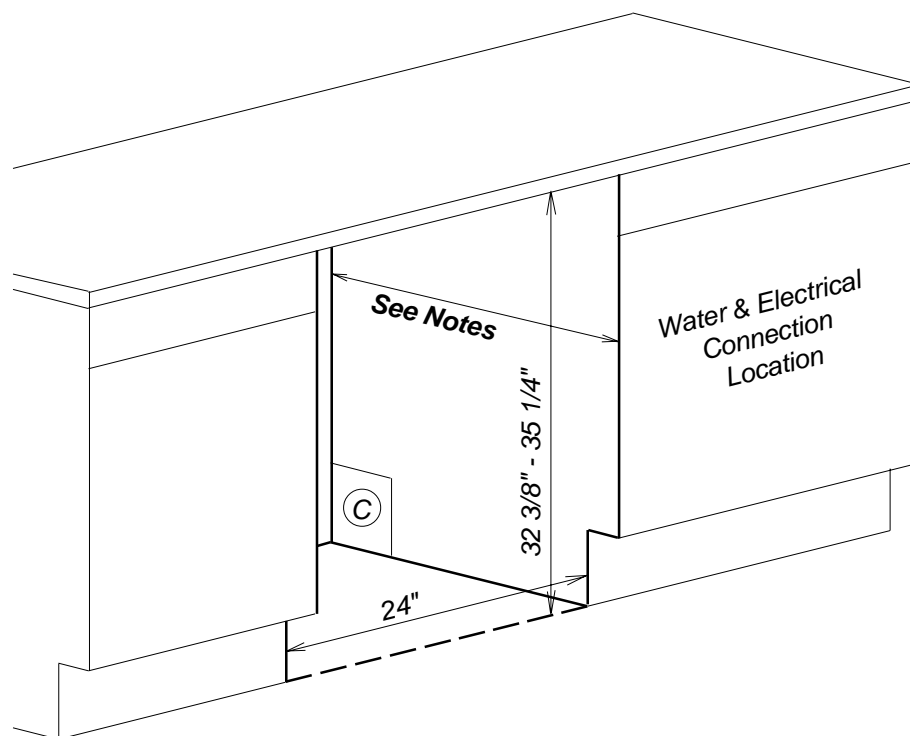
- **All installations must be done in accordance with local codes**
- See "Cut-out Dimensions" sheet for undercounter or built-in space requirements

NOTE: Drawing is not to scale.
SPECIFICATION SHEETS 010107

Cut-out Dimensions

Built-in Installations

Laundry Products



Location Codes
C - Cutout for Electric and Vent or Drain pass-through. Adjust according to duct or drain location.

Notes
• Typically requires removal of unit's lid. Out of box unit height dimension without lid is 32 5/16" - 32 11/16".

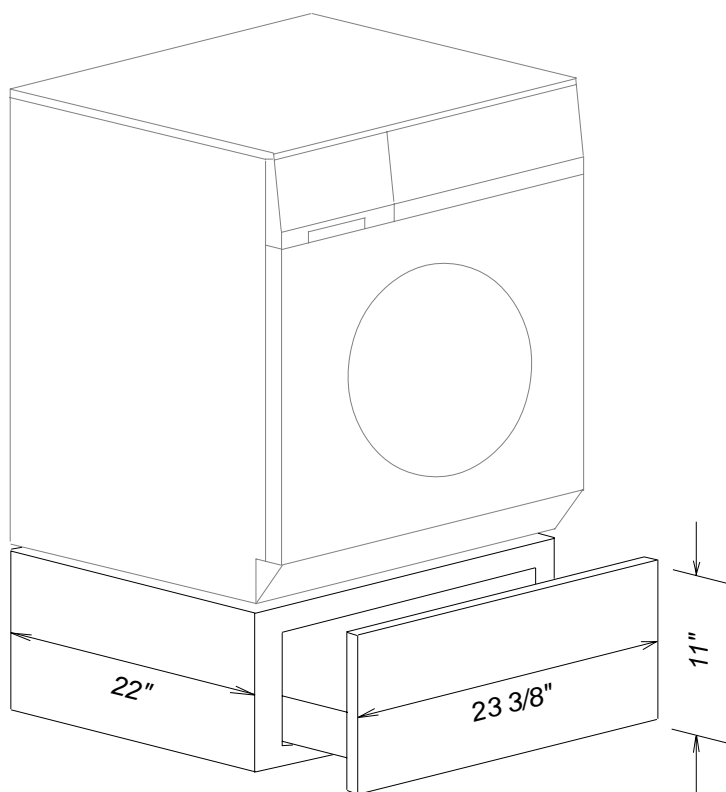
NOTE: Drawing is not to scale.
SPECIFICATION SHEETS 010107

Product Dimensions

Laundry Stand

WTS420 - White Only

Miele



Notes

- **For use with both compact capacity washers and tumble dryers.**
- **All installations must be done in accordance with local codes**

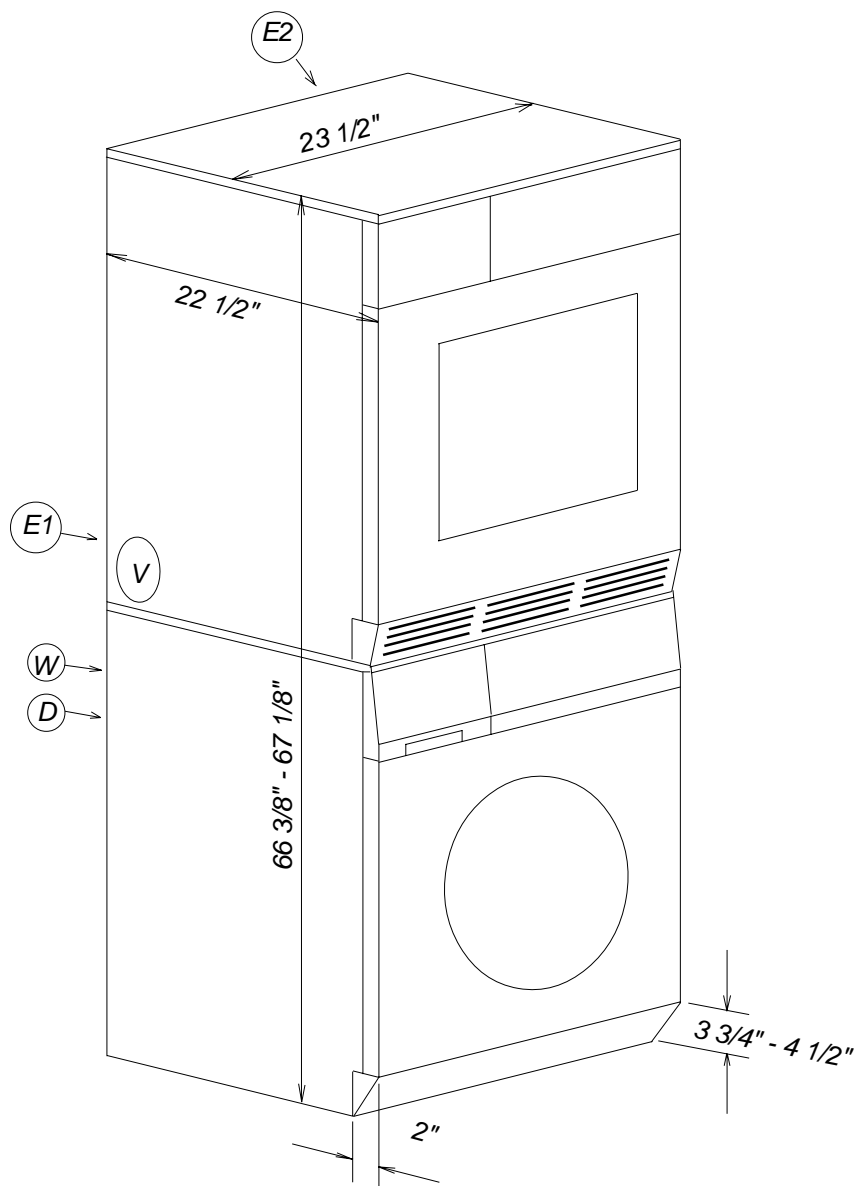
NOTE: Drawing is not to scale.
SPECIFICATION SHEETS 010107

Product Dimensions

Stacked Washer & Dryer

Example Combination

W3033 + T8003



Location Codes	
D -	5 foot flexible drain hose connects upper left rear.
E1 -	120 Volt, 15 Amp 5 foot molded plug power supply connects upper left rear (NEMA 5-15 Configuration).
E2 -	208/240 Volt, 30 Amp 5 foot molded plug power supply connects upper right rear (NEMA 14-30 Configuration).
W -	5 foot separate flexible hot and cold water intake hoses connect upper left rear.

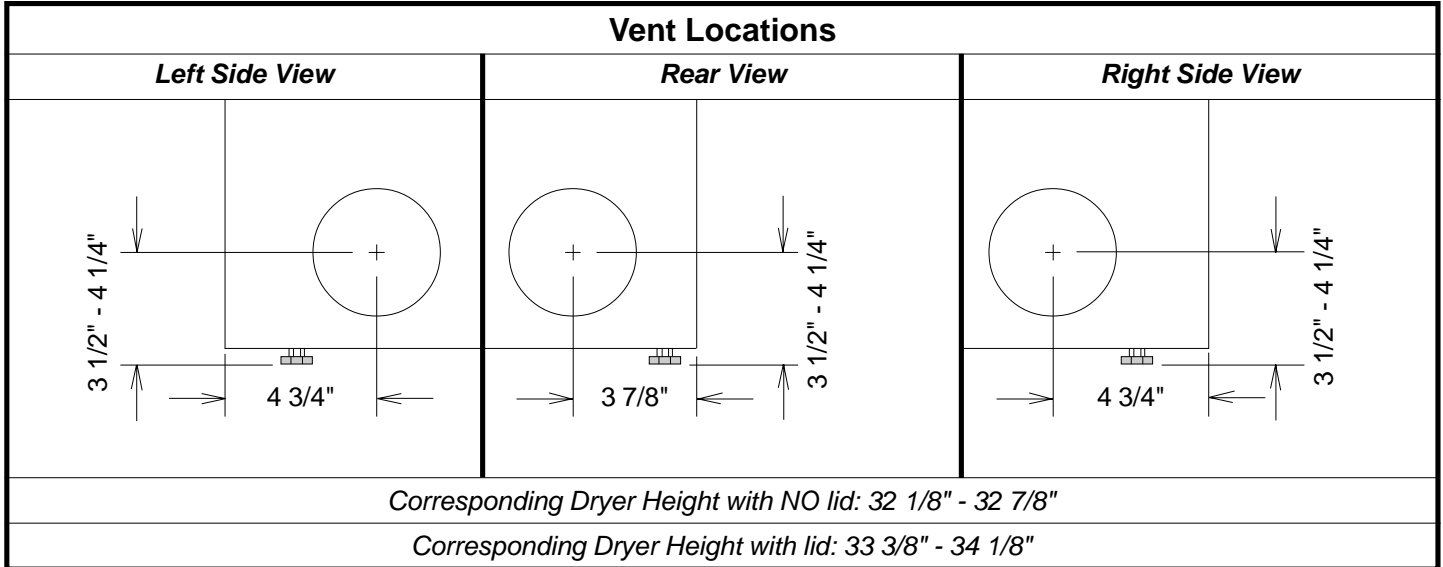
Notes
<ul style="list-style-type: none"> • All installations must be done in accordance with local codes • See "Cut-out Dimensions" sheet for undercounter or built-in space requirements • Remove transport struts in rear of machine before installation.

NOTE: Drawing is not to scale.
SPECIFICATION SHEETS 010107

Vent Locations

Vented dryers

T8003, T8005



Vent Duct Calculations				
Maximum Duct Lengths	Type of Bend or duct	Effective Radius	Subtract	
4" diameter	65 feet	Flexible duct 90°	4 - 12 inches	1 3/4 feet
4 3/16" diameter	98 feet	Flexible duct 90°	12 - 20 inches	1 1/4 feet
4 3/4" diameter	140 feet	Flexible duct 45°	4 - 20 inches	1 1/4 feet
5" diameter	196 feet	Smooth duct 90° or 45°	4 - 8 inches	1 1/4 feet
		Elbow 90°	Sharp bend	8 1/4 feet
		Concertina bend	8 inch	2 3/4 feet
		Segmented bend	8 inch	2 feet
		Louvered wall or window vent (#03780400)		12 1/2 feet
		Wall vent kit with flap (#00087184)		5 feet
		Window vent kit with flap (#00087185)		5 feet
		Exhaust connection - left		20 feet
		Exhaust connection - right		33 feet
		Flat duct (#01221330)		59 feet

DO NOT use vinyl ducting with Miele appliances.

Vent Locations

Stacked Washer & Dryer

Example Combination

