

Installation Instructions

H4082 BM

en-CA

Installation, repair and maintenance work should be performed by a Miele authorized service technician in accordance with national and local safety regulations and the provided installation instructions.

IMPORTANT SAFETY INSTRUCTIONS

When using electrical appliances always observe basic safety precautions, including the following:

WARNING - To reduce the risk of burns, electric shock, fire, injury to persons, or exposure to excessive microwave energy:

Read all instructions before installing or using the oven.

Read and follow the specific, "PRECAUTIONS TO AVOID POSSIBLE EXPOSURE TO EXCESSIVE MICROWAVE ENERGY".

This appliance is intended for residential use only. Only use the appliance for its intended purpose. The manufacturer cannot be held responsible for damages caused by improper use of this oven.

This appliance complies with current safety requirements. Improper use of the appliance can lead to personal injury and material damage.

Keep these operating instructions in a safe place and pass them on to any future user.

SAVE THESE INSTRUCTIONS

Use

▶ The appliance is intended for domestic use only: defrosting, heating, cooking, baking, roasting and broiling of food.

It is not designed for industrial or laboratory use.

▶ Do not use the appliance to store or dehydrate flammable materials. This is a fire hazard.

▶ Persons who lack physical, sensory or mental abilities, or experience with the appliance should not use it without supervision or instruction by a responsible person.

Children

▶ Children should not be left unattended in an area where the appliance is in use. Never allow children to hang or lean on any part of the appliance.

▶ Children should not use the unit without supervision unless its operation has been sufficiently explained so that they can run it safely. Children must be able to recognize potential hazards or improper operation.

▶ Do not allow children to touch or play in, on or near the oven when it is in operation. The oven gets hot at the oven door glass, the vapor vent, the handle and the operating controls. Danger of burns.

IMPORTANT SAFETY INSTRUCTIONS

Technical Safety

► Installation, repair and maintenance work should be performed by a Miele authorized service technician in accordance with national and local safety regulations and the provided installation instructions. Contact Miele's Technical Service Department for examination, repair or adjustment.

Repairs and other work by unauthorized persons could be dangerous and may void the warranty.

► Before installation, make sure that the voltage and frequency listed on the data plate correspond with the household electrical supply. This data must correspond to prevent injury and appliance damage. Consult a qualified electrician if in doubt.

► To guarantee the electrical safety of this appliance, continuity must exist between the appliance and an effective grounding system. It is imperative that this basic safety requirement be met. If there is any doubt, have the electrical system of the house checked by a qualified electrician. The manufacturer will not be held responsible for damages caused by the lack, or inadequacy, of an effective grounding system.

► Before installing the oven, check for externally visible damage. **Do not** operate a damaged appliance.

► This appliance must not be installed or operated outdoors.

► Do not install this appliance near water, e.g. sink, wet basement, swimming pool, etc.

► Do not use an extension cord to connect this appliance to electricity. Extension cords do not guarantee the required safety of the appliance.

► The appliance must only be operated after it has been correctly installed into cabinetry.

► Under no circumstances open the outer casing of the appliance.

► While the appliance is under warranty repairs should only be performed by an authorized service technician. Otherwise the warranty is void.

► Before servicing, disconnect the appliance from the main power supply.

► Defective components should be replaced by Miele original spare parts only. Only with these parts can the manufacturer guarantee the safety of the appliance.

► Do not operate any appliance with a damaged cord or plug, or if the appliance has been damaged in any manner. Contact Miele's Technical Service Department.

► This appliance is not designed for maritime use or for use in mobile installations such as recreational vehicles or aircraft. However, under certain conditions it may be possible for installation in these applications. Please contact the Miele Technical Service Department with specific requirements.

IMPORTANT SAFETY INSTRUCTIONS

Safety

▶ Do not use corrosive chemicals or vapors in this appliance.

▶ Do not use the oven to heat the room. Due to the high temperatures radiated, objects left near the oven could catch fire.

▶ Times for cooking, heating and defrosting food in the convection microwave oven are shorter than that of traditional food preparation methods. Extensive microwaving could dry out food and cause possible ignition. Fire hazard!

▶ Do not use the microwave function to dry bread, flowers, herbs, etc. Use the Convection Bake function.

▶ Do not heat cushions filled with herbs, gel, etc. with the microwave function. The cushions could ignite, even once removed from the oven after heating. This is a fire hazard.

▶ Do not use full power when warming empty dishes or drying herbs. The lack or minimal amount of food could cause damage to the appliance.

▶ Do not use for cleaning and disinfecting utensils and cookware. There is a risk of burns from the high temperatures from the utensil when it is taken out of the oven. This is a fire hazard.

▶ Supervise cooking with grease or oils. Oils and grease could ignite.

▶ Never heat undiluted alcohol in the microwave oven, it can easily ignite.

▶ If materials inside the oven ignite, keep the oven door closed to avoid fueling any flames. Turn the oven off or disconnect the power supply.

▶ If smoke occurs in the oven, to avoid fueling any flames, do not open the oven door. Switch the appliance off by pressing the ON/OFF button, switch off at the mains and remove the plug from the outlet. Do not open the oven door until the smoke has dispersed.

▶ To avoid corrosion damage from condensation:

- Cover meals when cooking with the Microwave Solo function.
- When using residual heat to keep food warm, leave the selected function on and select the lowest temperature. Do not turn the oven off. Condensation from food and drinks could cause damage to the machine or the countertop and cabinetry. Leaving the machine on will keep the fan running to aid in dissipating the condensation.
- Cover food stored in the oven interior. Condensation from food and drinks could cause corrosion damage. It also prevents the food from drying out.

IMPORTANT SAFETY INSTRUCTIONS

- ▶ Only use accessories approved by Miele for use with this machine. Use of other accessories may cause damage and void the warranty.
- ▶ Only use the Miele roast probe supplied with this appliance. If a replacement is necessary it can be ordered from Miele or your Miele dealer.
- ▶ When not in use do not leave the roast probe in the oven, especially when broiling. The high temperatures used for broiling could cause plastic components on the roast probe to melt.
- ▶ Do not lean, sit or place heavy items on the open oven door. The machine may be damaged. The door can hold a max. of 17.5 lbs (8 kg).
- ▶ Do not cover or block any opening on the appliance.
- ▶ Aluminum foil should not be used to line the oven floor. To avoid damage, do not place pots, pans or baking sheets directly on the oven floor.

Microwave function

PRECAUTIONS TO AVOID POSSIBLE EXPOSURE TO EXCESSIVE MICROWAVE ENERGY

Do not attempt to operate this oven with the door open since open-door operation can result in harmful exposure to microwave energy. It is important not to damage or tamper with the safety interlocks.

Do not place any object between the oven front and the door or allow soil or cleaner residue to accumulate on sealing surfaces.

Do not operate the oven if it is damaged. It is particularly important that the oven door closes properly and that there is no damage to the: (1) door (bent), (2) hinges and latches (broken or loosened), (3) door seals and sealing surfaces.

The oven should not be adjusted or repaired by anyone except properly qualified service personnel.

- ▶ Do not operate the convection microwave oven empty! The oven will be damaged.
- ▶ Be sure to use cookware suitable for the function being used. See "Selecting cookware".
The provided combi rack is specially designed for use in this oven.

IMPORTANT SAFETY INSTRUCTIONS

▶ Do not leave the appliance unattended when heating food in disposable, e.g. plastic, paper or other flammable materials.
See "Selecting cookware".

▶ Do not use the oven to heat food in heat retaining packaging, e.g. take-out food packaging.

This packaging contains a thin layer of aluminum foil which reflects the microwaves. This reflected energy can cause the paper layer to ignite.

▶ Before serving food allow a sufficient standing time. Always check the temperature of the food itself after taking it out of the microwave oven. Do not judge by the plate temperature. The heat is created in the food, the dishes may stay cool to the touch.

▶ Always check the temperature before serving heated baby food.

▶ Use a food thermometer to measure the foods temperature. Do not use thermometers containing mercury or liquids, they are not suitable for high temperatures and break easily.

▶ Always check that food is sufficiently heated. The time required varies depending on a number of factors, such as initial temperature, quantity, type and consistency of the food, and changes in the recipe. Germs present in the food are killed off only at a sufficiently high temperature (> 158° F) and after a sufficiently long time (> 10 Min.). Select a longer cook time if you are unsure if food is thoroughly heated. To ensure temperature is distributed evenly, stir and rotate food occasionally before serving.

▶ Never cook or reheat food and liquids in sealed containers or bottles. Remove the nipple or lid before heating in the microwave oven. Built-up pressure may cause them to burst. Danger of injuries.

▶ When heating liquids, the provided boiling wand should be placed into the container.

▶ When heating liquids, milk, sauces, etc., in the oven without the boiling wand, the boiling point of the liquid may be reached without the production of bubbles. The liquid will not boil evenly. This "boiling delay" can cause a sudden build up of steam bubbles, when the container is removed from the oven or shaken. This can lead to the liquid boiling over suddenly and explosively. Danger of burning!

▶ The built-up pressure may force the oven door open. This could result in injury or damage. The boiling wand ensures that the liquid boils evenly and that steam bubbles form at an early stage.

IMPORTANT SAFETY INSTRUCTIONS

▶ Eggs must only be cooked in their shells in the microwave oven in a device designed specifically for microwave egg boiling. Hard-boiled eggs should not be reheated in the microwave oven. The eggs may burst, even once they have been removed from the oven.

▶ Eggs can be cooked without their shells in the microwave oven only if the yolk membrane has been punctured first. The pressure could otherwise cause the egg yolk to explode. Danger of injuries.

▶ Food with a thick skin or peel, such as tomatoes, sausages and potatoes should be pierced in several places before cooking to allow steam to vent and prevent the food from bursting.

▶ Do not use dishware with hollow handles or lid knobs. Moisture can get into the hollow parts. (The hollow parts of some dishware can be vented). Danger of built-up pressure and the explosion of the hollow parts may cause injuries.

Solo functions:

Convection Bake, Auto Roast, Broil, Convection Broil

Caution! Danger of burns!
When using solo functions the oven interior gets very hot.


▶ Be sure to use cookware suitable for the function being used. See "Selecting cookware".

▶ Use pot holders when working with a hot appliance. Especially the upper heating element gets extremely hot when using any broil function. Danger of burning!

The manufacturer cannot be held liable for damage caused by non-compliance with these Important Safety instructions.

**SAVE THESE INSTRUCTIONS
AND REVIEW THEM
PERIODICALLY**

Electrical connection

 **CAUTION:** Before servicing, disconnect the power supply by either removing the fuse, shutting off the power main or manually "tripping" the circuit breaker.

Installation work and repairs should only be performed by a qualified technician in accordance with all applicable codes and standards. Repairs and service by unqualified persons could be dangerous and the manufacturer will not be held responsible.

Before connecting the appliance to the power supply, make sure that the voltage and frequency listed on the data plate correspond with the household electrical supply. This data must correspond in order to prevent machine damage. Consult an electrician if in doubt.

Only operate the appliance after it has been installed into cabinetry.

The appliance must be plugged into an appropriate outlet that is installed and grounded in accordance with all local codes and ordinances.

Power supply

The oven comes equipped with a 7.2 ft. (2.2 m) power cord with a NEMA 14-30 P molded plug ready for connection to a:

120/240V, 20 A, 60 Hz power supply.

or

120/208V, 20 A, 60 Hz power supply.

WARNING: THIS APPLIANCE MUST BE GROUNDED

Installer:

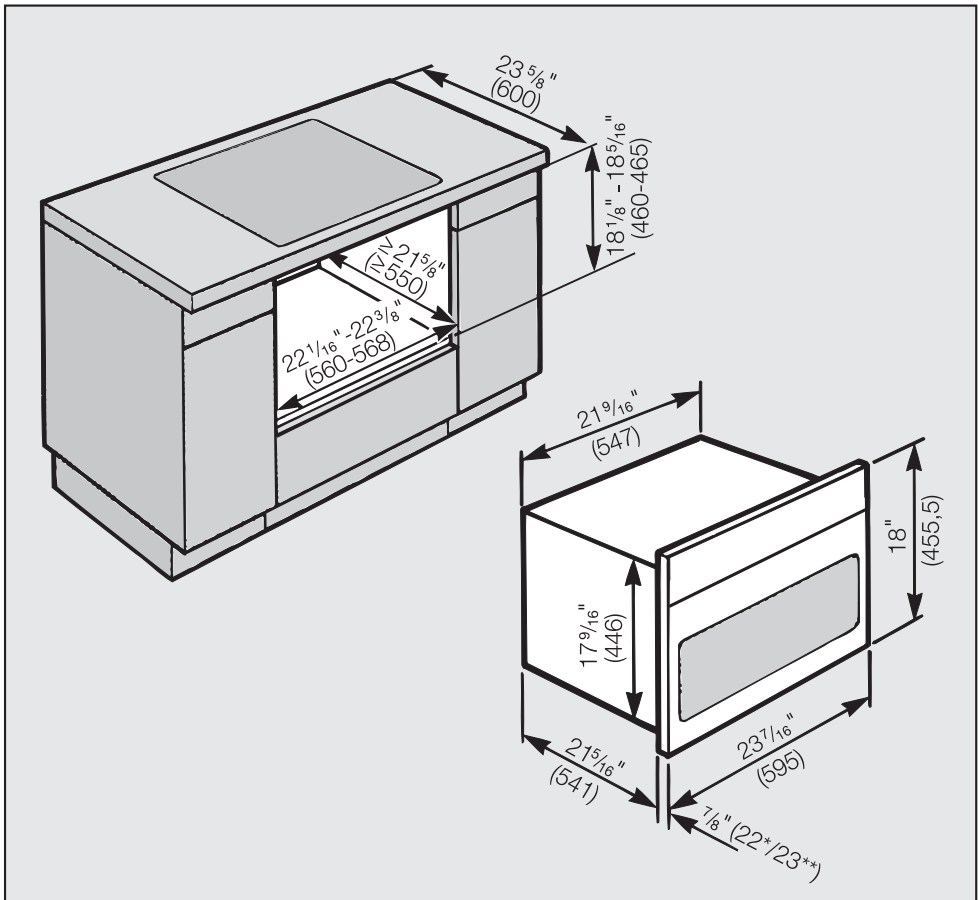
Please leave these instructions with the consumer.

Installation options

The appliance is designed for installation under a countertop, in a tall cabinet or in a tall cabinet in combination with an oven.

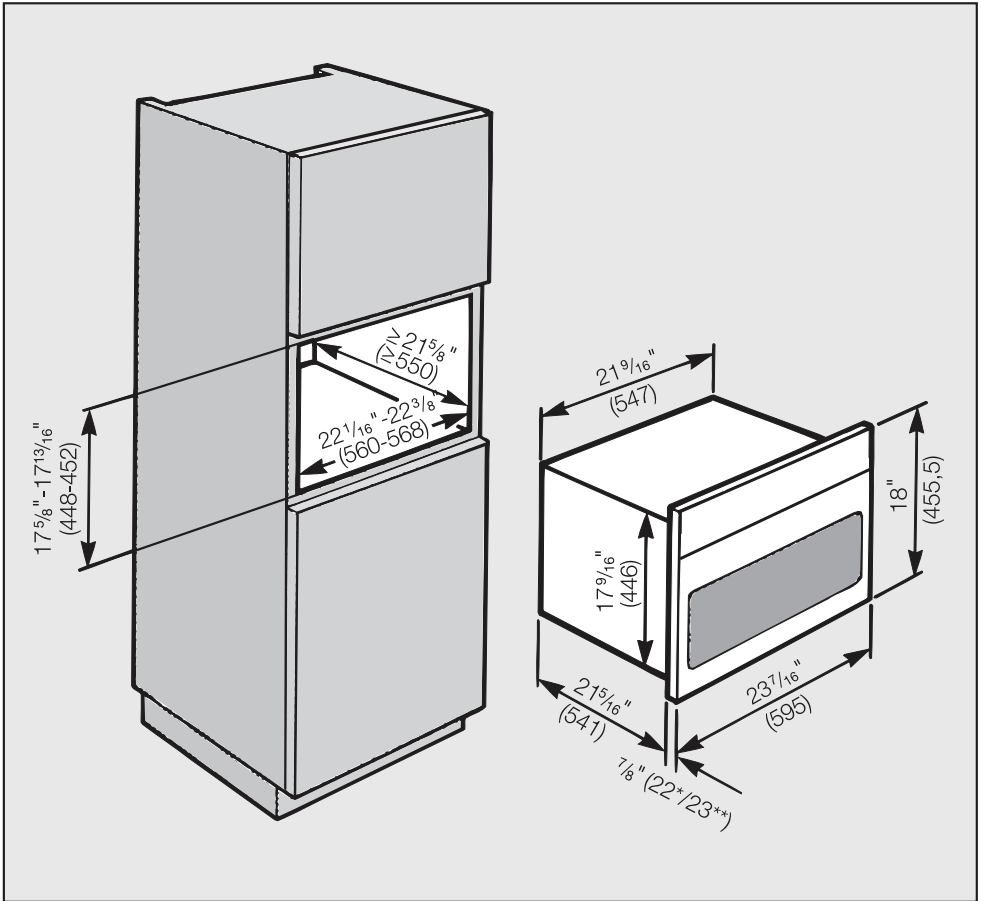
Installation under a countertop

When installed under a cooktop regard the installation instructions and dimensions of the cooktop.



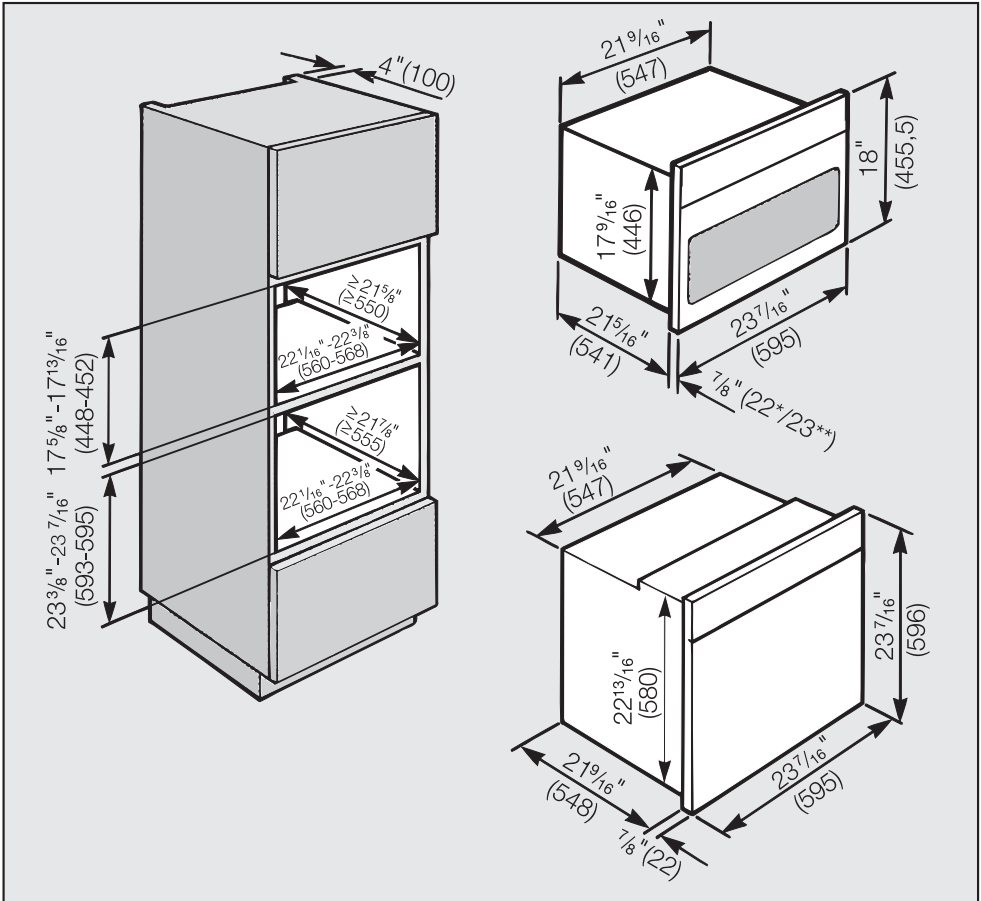
Installation

Installation in a tall cabinet



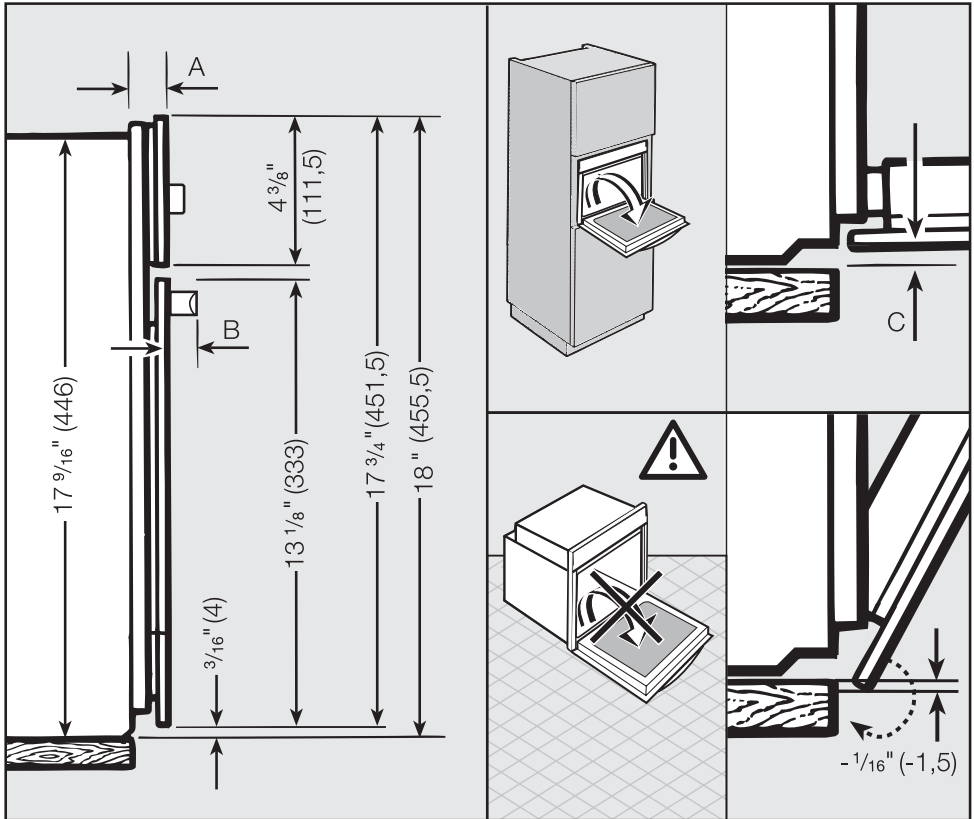
Miele appliances can be installed flush or proud. Discuss your installation requirements with you architect, designer and installer.

Installation in a tall cabinet in combination with an oven



Installation

Machine front dimensions



A $\frac{7}{8}$ " (22/23 mm)

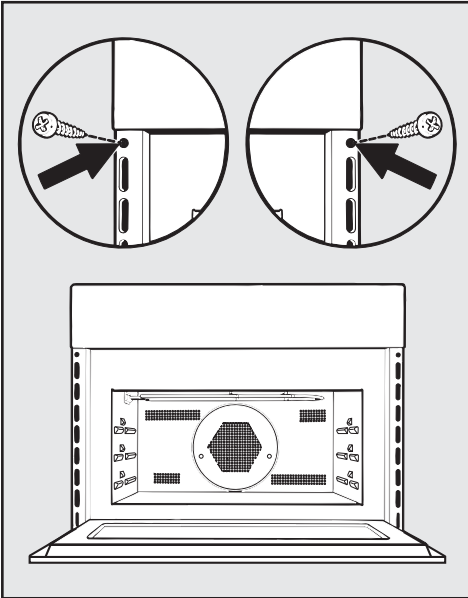
B H 4082 BM: $1 \frac{7}{8}$ " (47.5 mm)
H 4088 BM: $1 \frac{3}{4}$ " (45 mm)

C Appliances with glass front: $\frac{1}{16}$ " (1.5 mm)
Appliances with metal front: (0.5 mm)

Installation

If there are side handles, please remove them.

- Connect the oven to the electrical supply.




- Set the oven into the cabinet niche, push it all the way in and align it, right-angled.
- Open the oven and fix the appliance with the two supplied screws at the side panels of the cabinet.

Do not use the appliance until it has been properly installed.

Programming the oven

When the oven is first connected to the electrical supply you will be prompted to set the time of day. See "Settings - Clock".

 Do not test the unit empty! The oven will be damaged.

**Please have the model and serial number
of your appliance available before
contacting Technical Service.**



**U.S.A.
Miele, Inc.**

National Headquarters

9 Independence Way
Princeton, NJ 08540
Phone: 800-843-7231
609-419-9898
Fax: 609-419-4298
www.miele.com

**Technical Service & Support
Nationwide**

Phone: 800-999-1360
Fax: 888-586-8056

TechnicalService@mieleusa.com

**Canada
Miele Limited**

Headquarters and Showroom

161 Four Valley Drive
Vaughan, ON L4K 4V8
Phone: 800-643-5381
905-660-9936
Fax: 905-532-2290
www.miele.ca
info@miele.ca (general enquiries)
professional@miele.ca (commercial
enquiries)

MieleCare National Service

Phone: 800-565-6435
905-532-2272
Fax: 905-532-2292
customercare@miele.ca (technical
enquiries)