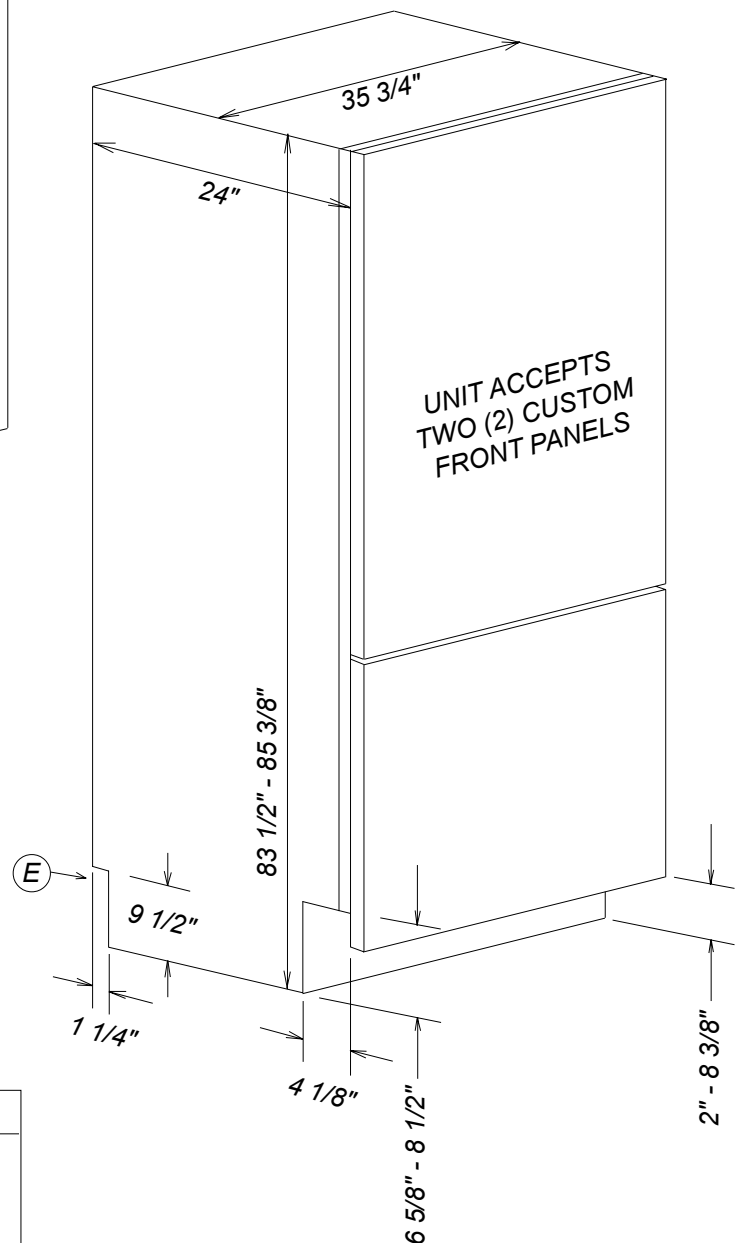
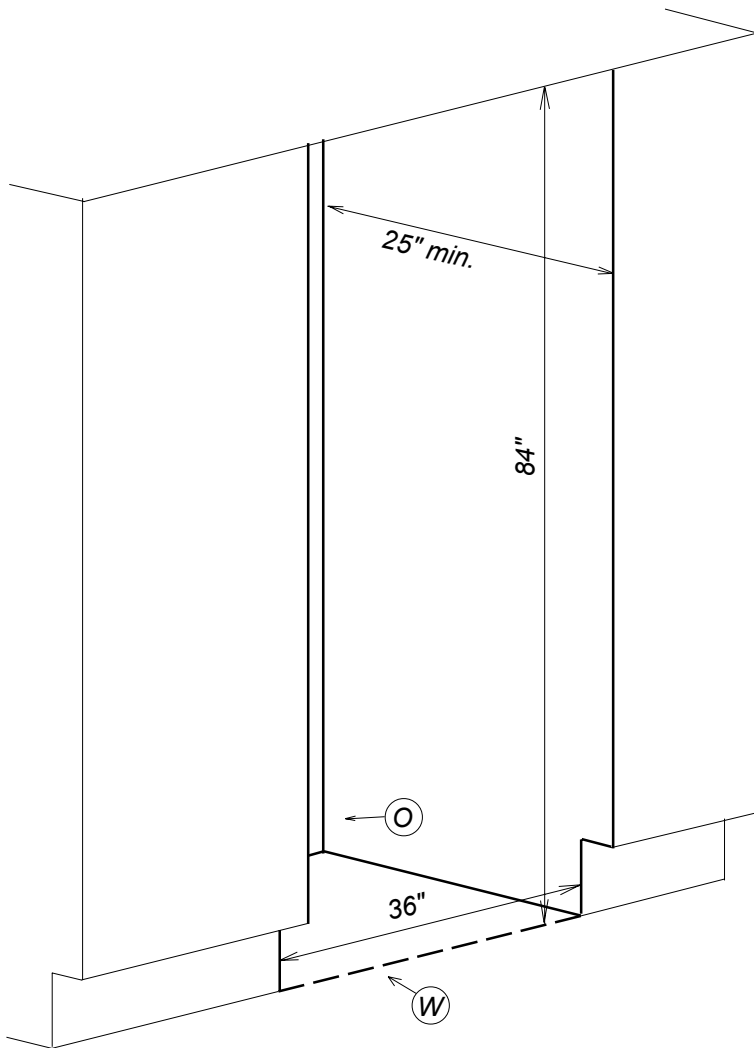


Product and Cut-out Dimensions KF1911Vi / KF1901Vi



Location Codes
<i>E</i> - 5 foot - 120 Volt - 15 Amp 3-wire molded plug power supply connects lower left rear.
<i>O</i> - Standard NEMA 5-15 Outlet - locate less than 9" above finished floor
<i>W</i> - 1/4" flexible water line - tape to floor
Notes
• All Installations must be done in accordance with local codes

NOTE: Drawing is not to scale.
SPECIFICATION SHEETS 010707

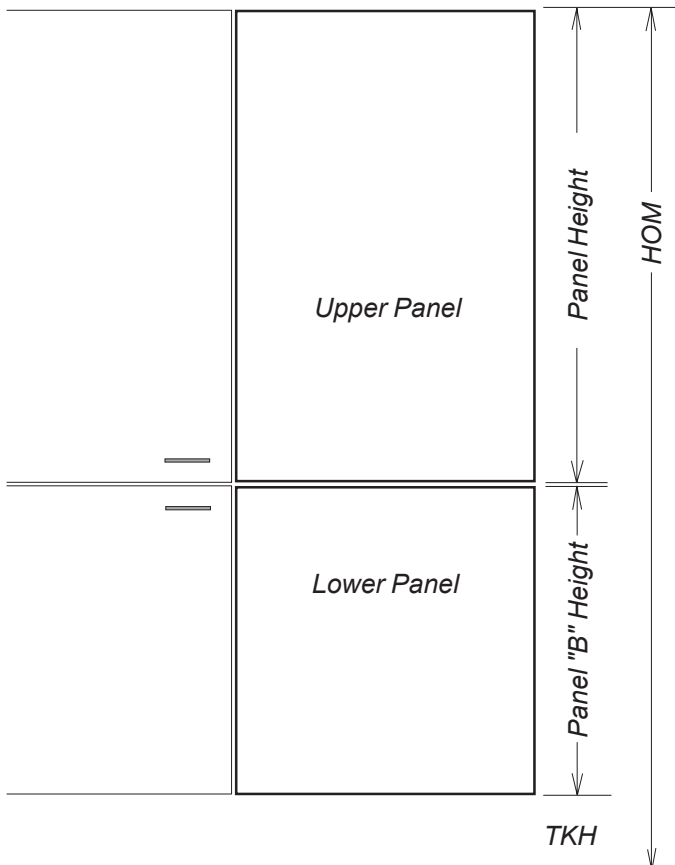
Front Panel Information Fully Integrated Model



Custom Panel Installations

These units do not come equipped with a front panel. They are designed to accept a custom door panel supplied by the cabinet maker. Miele has a unique panel integration system which allows the panels to align with the surrounding cabinets.

Panel size is determined in the following manner:



Width: 35 3/4" in all cases
Thickness: Minimum 3/4" outside frame

Standard Upper Panel Height: 53 5/16"

Note: Panel may extend above unit.
 This is **not** considered in height calculation

Maximum panel weight: 71 lbs (32 kg)

Note: Since panel exceeds door dimensions, it is recommended to have panel rear finished.

Note: It is recommended to have the interior side gables finished, as they will be visible.

Lower Panel Height: Use the following calculation:

Panel Height = $HOM - 53\ 5/16 - 1/4^* - TKH$
 *1/4" gap to allow for opening of upper and lower door.

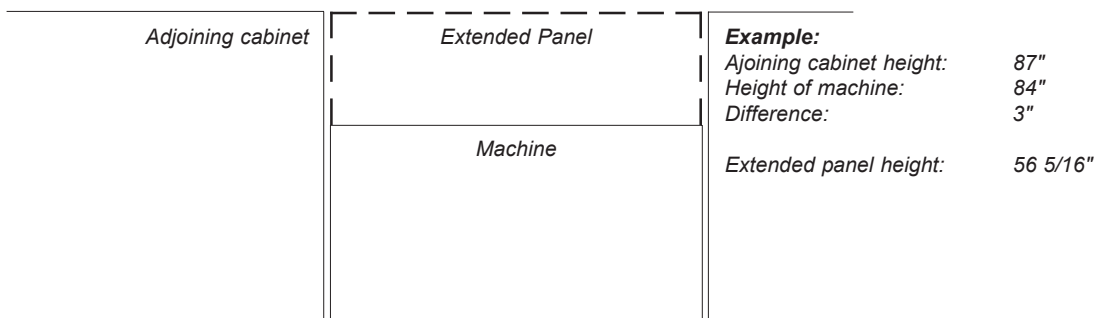
HOM = Total height of machine. Can be adjusted to match adjoining cabinets - **typically 84"**
 HOM is adjustable between 83 1/2" - 85 3/8"

TKH = Toe-kick height (2" - 8 3/8")

Maximum panel weight: 31 lbs (14 kg)

Upper Panel Notes

If the adjoining cabinets are taller than the height of machine (HOM) - the upper panel may be extended accordingly. Find the difference between height of the adjoining cabinets and the height of machine (HOM) and add to 53 5/16"



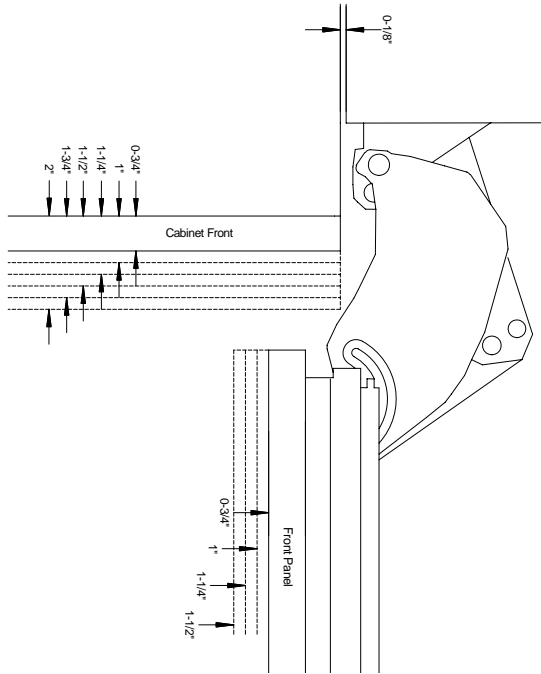
Front Panel Information

Hinging Details

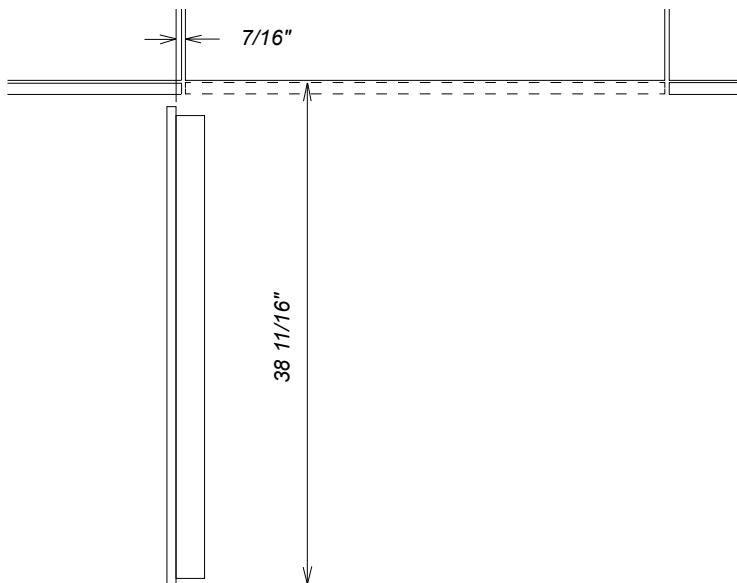


90° Door

Thickness options



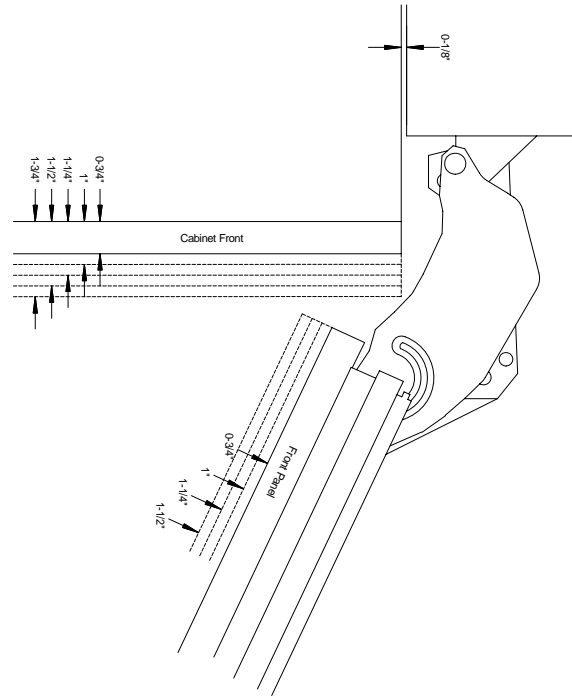
Door Swing



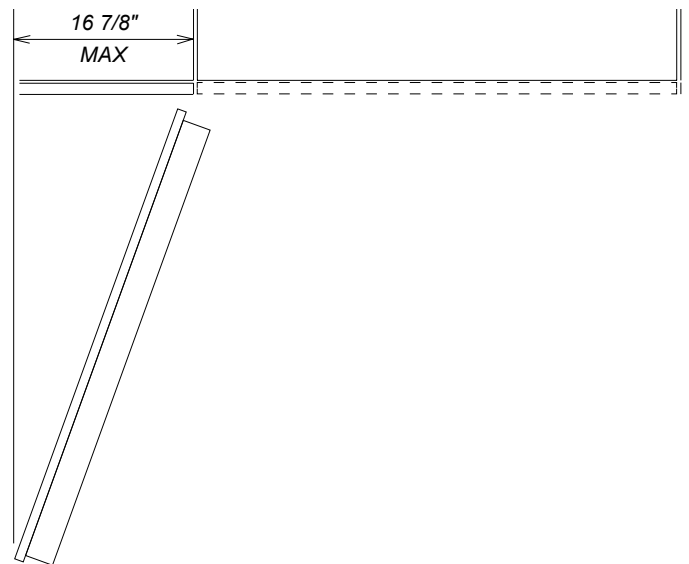
NOTE: Additional space needed depending on thickness of front panels and handle used

115° Door

Thickness options



Door Swing



NOTE: Additional space needed depending on thickness of front panels and handle used