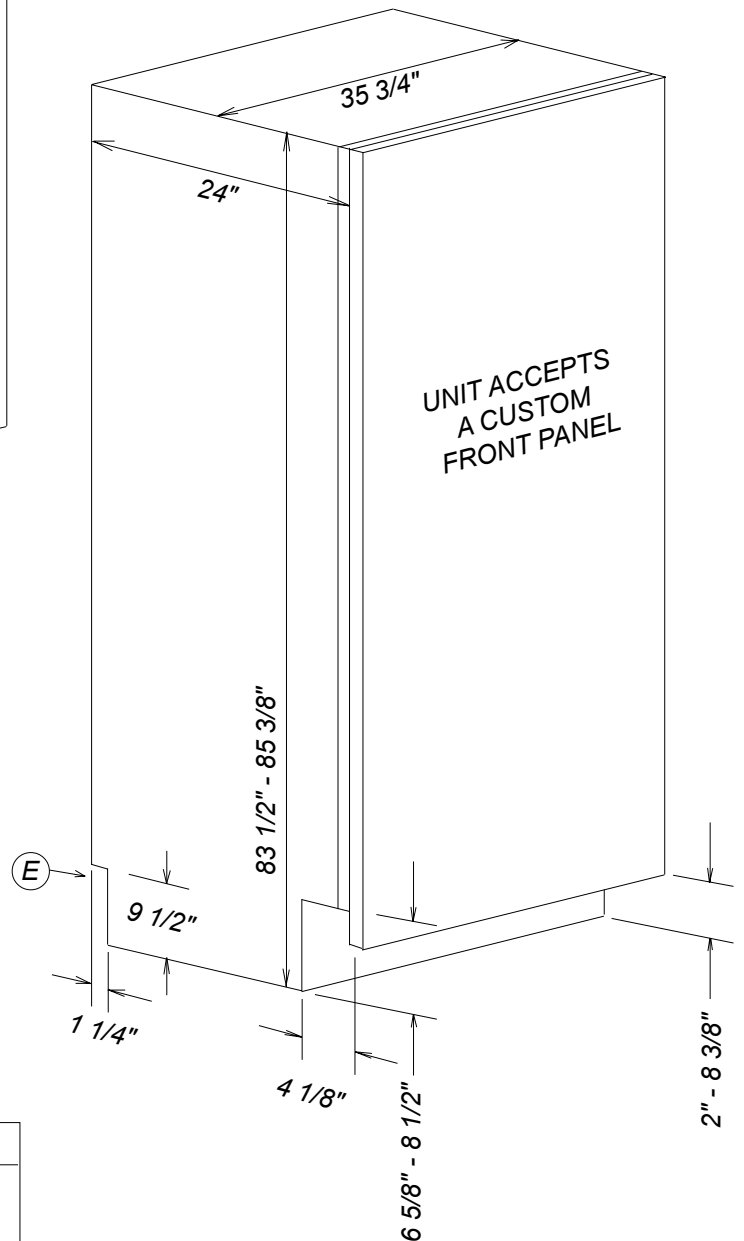
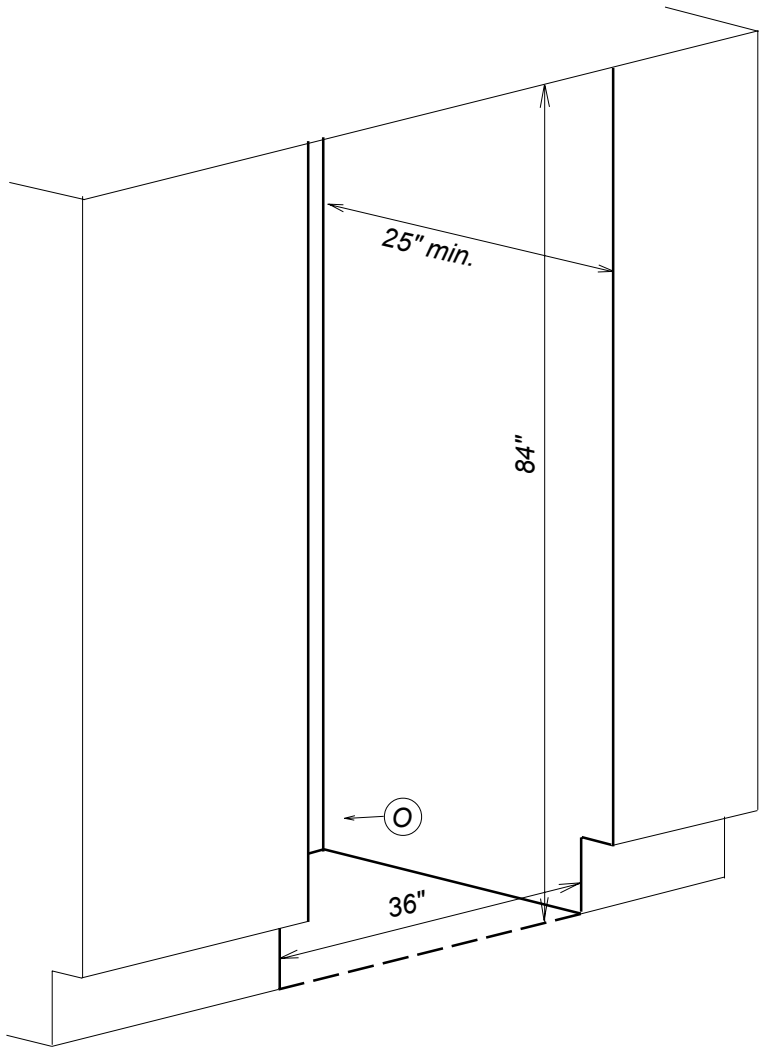


# Product and Cut-out Dimensions K1911Vi / K1901Vi



Location Codes
E - 5 foot - 120 Volt - 15 Amp 3-wire molded plug power supply connects lower left rear.
O - Standard NEMA 5-15 Outlet - locate less than 9" above finished floor
Notes
• All Installations must be done in accordance with local codes

NOTE: Drawing is not to scale.  
SPECIFICATION SHEETS 010707

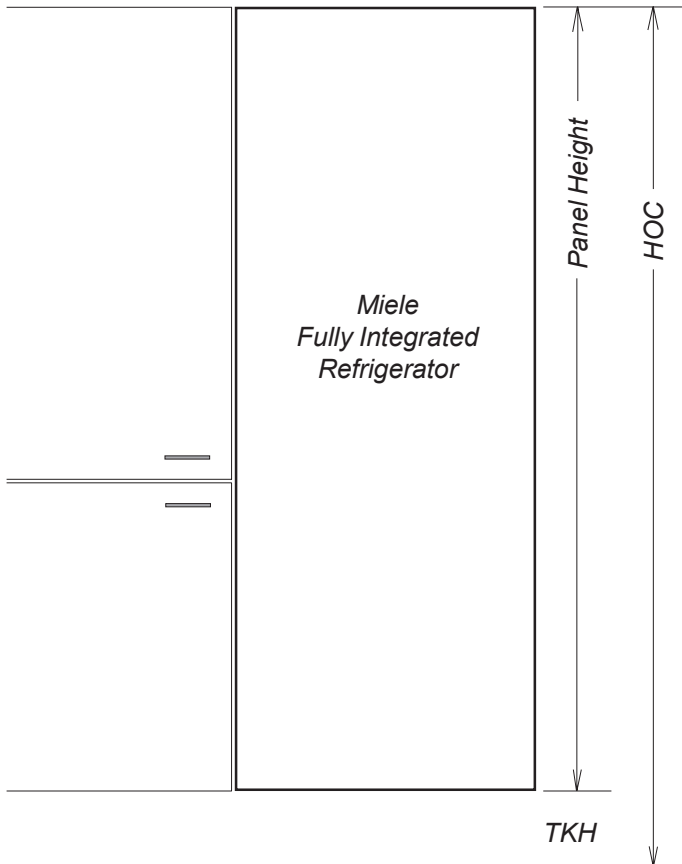
# Front Panel Information Fully Integrated Model



## Custom Panel Installations

**These units do not come equipped with a front panel.** They are designed to accept a custom door panel supplied by the cabinet maker. Miele has a unique panel integration system which allows the panels to align with the surrounding cabinets.

Panel size is determined in the following manner:



**Width:** 35 3/4" in all cases

**Thickness:** Minimum 3/4" outside frame

**Height:** Determined using the following calculation:

$$\text{Panel Height} = \text{HOC} - \text{TKH}$$

**HOC** = Total height of cabinet or side panel

**TKH** = Toe-kick height

**Note:** Panel may extend above unit.  
This is **not** considered in height calculation

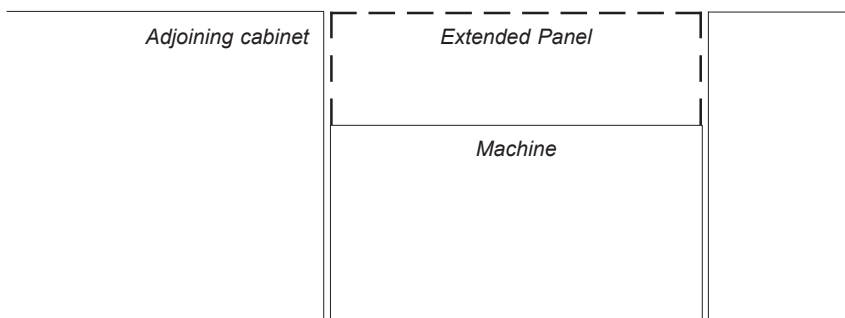
**Maximum panel weight:** 66 lbs (30 kg)

**Note:** Since panel exceeds door dimensions, it is recommended to have panel rear finished.

**Note:** It is recommended to have the interior side gables finished, as they will be visible.

## Panel Notes

If the adjoining cabinets are taller than the height of machine (HOM) - the front panel may be extended accordingly. Simply maintain the toekick height and extend the panel the needed distance.



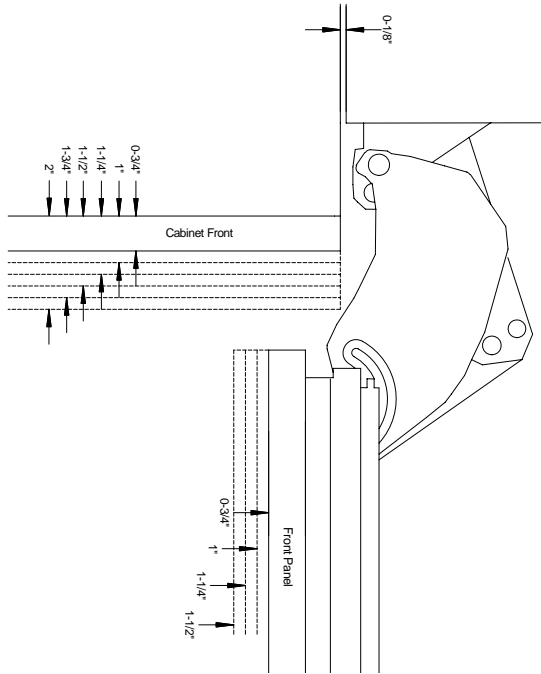
# Front Panel Information

## Hinging Details

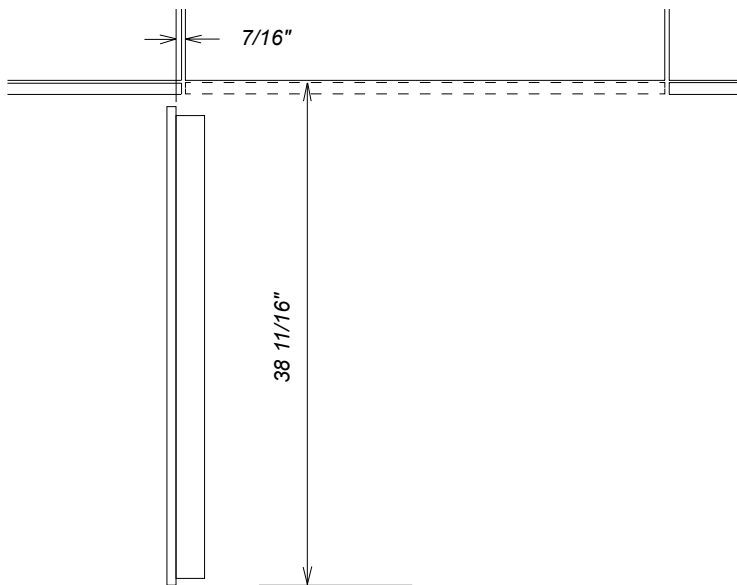


### 90° Door

Thickness options



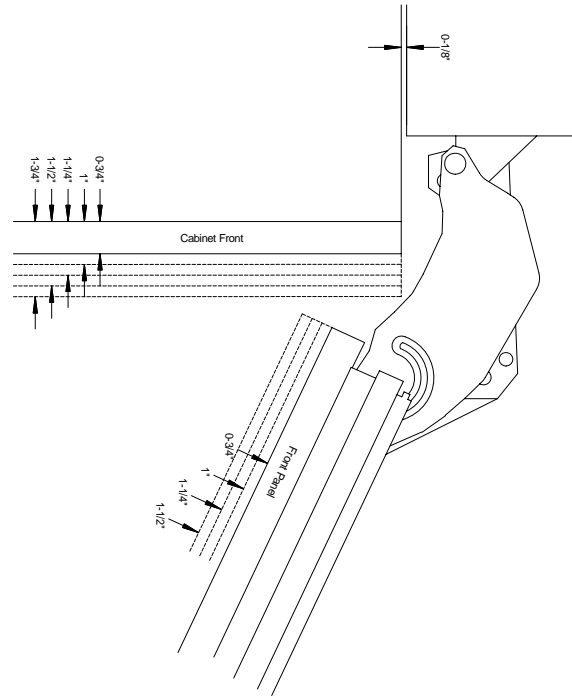
Door Swing



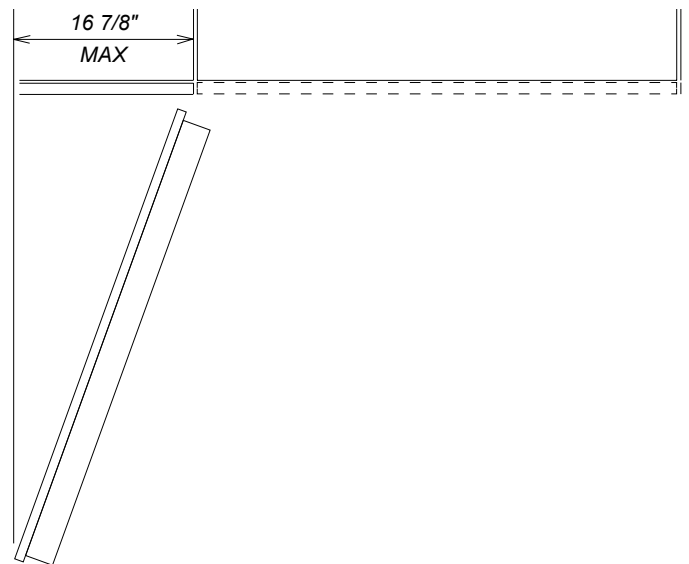
**NOTE:** Additional space needed depending on thickness of front panels and handle used

### 115° Door

Thickness options



Door Swing



**NOTE:** Additional space needed depending on thickness of front panels and handle used