

## Installation Instructions


KWT4154 UG-1

en-CA

Installation, repair and maintenance work should be performed by a Miele authorized service technician in accordance with national and local safety regulations and the provided installation instructions.

## Electrical connection

---

 Avoid the risk of electrical shock

- Plug into a grounded 3-prong outlet.
- Do not move the ground plug.
- Do not use an adapter.
- Do not use an extension cord.

Failure to follow these instructions can result in death, fire, or electrical shock.

Improper connection of the equipment grounding conductor may result in electric shock. If you are in any doubt as to whether the appliance has been properly grounded, have the appliance checked by a qualified electrician or service technician.

Installation, repairs and other work by unqualified persons could be dangerous. The manufacturer will not be held responsible for damage or injury arising from unauthorized work.

Before installing the appliance, verify that the voltage, load and circuit rating information found on the data plate match the household electrical supply.

The appliance comes with a UL-listed, 3-wire power supply cord.

The appliance requires a 3-wire receptacle.

The receptacle must be installed by a licensed electrician only.

In the case of side-by-side installations, a separate outlet must be used for each appliance. Ideally, the power outlet should be next to the appliance and easily accessible. Do not connect the appliance to the power supply by an extension cord. Extension cords do not guarantee the required safety of the appliance (danger of overheating).

If any changes are needed to the household wiring or power supply, this work must be performed by a qualified electrician.

If there are any questions regarding the electrical connection of this appliance to the power supply, please consult a licensed electrician or call the Miele Technical Service.

 1-800-565-6435

This appliance must be built in; otherwise it could tip over.

To ensure that the appliance functions correctly in tropical climates where the ambient temperature exceeds 38°C and air humidity levels exceed 70%, the appliance **MUST** be used in a climate-controlled room.

## Location

The appliance should be installed in a dry, well-ventilated room.

The room temperature should not go above or below the climate range for which the appliance is designed.

The higher the ambient temperature of the room, the more energy the appliance requires to operate.

The appliance should not be installed where it will be exposed to direct sunlight or directly adjacent to a heat-producing appliance such as an oven or a radiator.

## Climate range

The appliance is designed for use within certain climate ranges (ambient temperatures), and should not be used outside this range. The climate range of the appliance is stated on the data plate inside the appliance.

Climate range	Ambient room temperature
SN	+10°C to +32°C
N	+16°C to +32°C
ST	+18°C to +38°C
T	+18°C to +43°C
SN-ST	+10°C to +38°C
SN-T	+10°C to +43°C

If the appliance is used in a room that is too cold, the cooling system will switch off for too long, causing the internal temperature in the appliance to rise, with the risk of affecting the wine stored there.

## Ventilation

The air at the back of the appliance gets warm. The appliance housing unit must be constructed to allow sufficient space for ventilation.

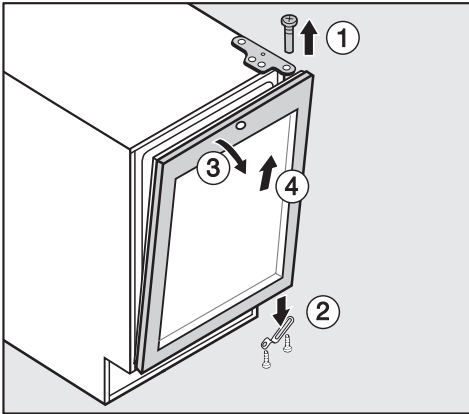
The air intake and outlet must not be covered or blocked in any way. They should be dusted on a regular basis.

## Before installation

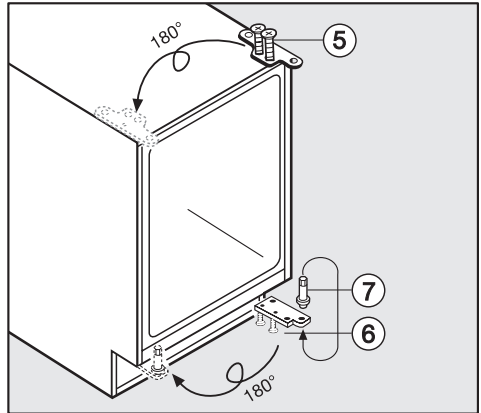
- Before building in, remove all accessories from the appliance.
- Remove any cable clips from the rear of the appliance.
- Check that all parts at the back of the appliance are unhindered. Carefully remove any hindrances.

## Changing the door hinging

The appliance is supplied right-hand hinged. If left-hand door hinging is required, follow the instructions below.

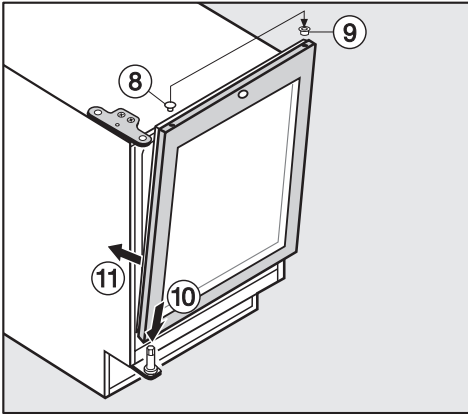


- Close the door, and unscrew the top hinge pin from the door ①.
- Unscrew the door stay ② from underneath the door.
- Tip the door forward slightly ③, and lift it up and off ④.

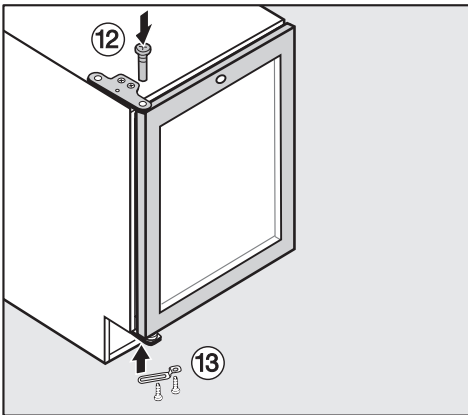


- Unscrew the top hinge plate ⑤, turn it around, and refit it on the opposite side.
- Unscrew the lower hinge plate ⑥.
- Remove the hinge pin ⑦, and replace it in the hinge plate from underneath. Ensure that the spacer on which the hinge pin sits is correctly positioned.
- Turn the hinge plate around, and refit it on the opposite side.

## Changing the door hinging



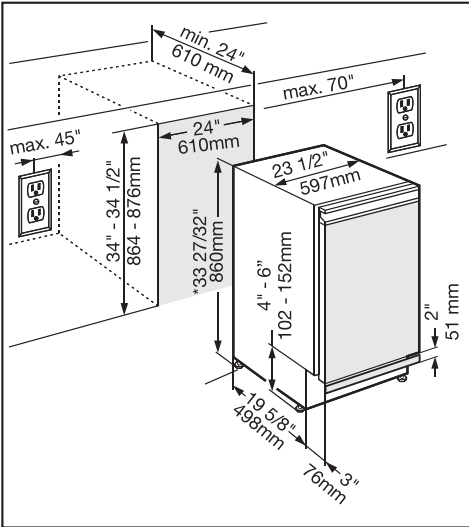
- Swap over the plug ⑧ and the hinge pin guide ⑨ in the top of the door.
- Hang the door on the lower hinge pin ⑩, and close the door ⑪.



- Refit the top hinge pin ⑫ through the hinge pin plate into the door.
- Refit the door stay ⑬ underneath the appliance by securing one screw into the appliance door and another through the plastic part of the hinge pin plate.

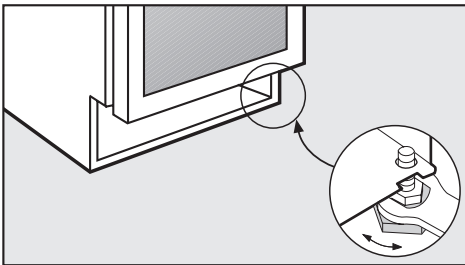
# Under-counter installation

## Appliance dimensions



\* The overall height can be increased by 2 inches (50 mm) by adjusting the feet.

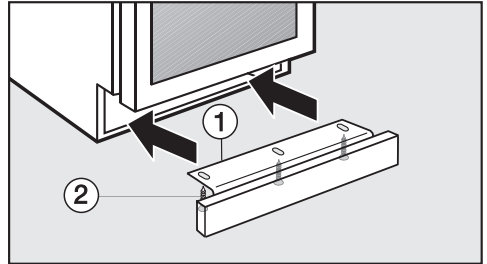
## Adjustments



- Use the flat wrench provided to adjust the feet as needed, so that the appliance fits the countertop height.

## Preparing the appliance

- With two people, carefully tip the appliance backward.

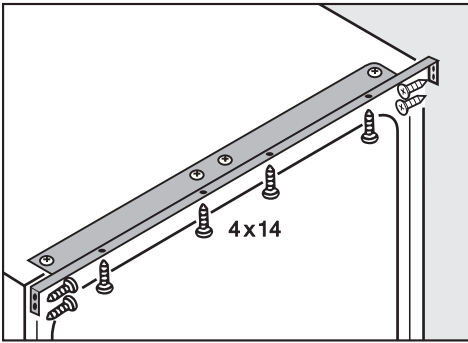


- Attach the supplied trim panel ① below the appliance, and loosely tighten the screws ②.
- Arrange the trim panel ① over the long holes in the appliance door recess.
- Tighten the screws ② all the way down onto the trim panel ①.

## Fitting the appliance into place

- Slide the appliance into the installation area.  
Ensure that the power cord does not get caught.

Make sure the power socket remains accessible.



- Using the attachment strip and screws, fit the appliance into place.



## **Miele Limited**

### **Headquarters and Showroom**

161 Four Valley Drive

Vaughan, ON L4K 4V8

Phone: 800-643-5381

905-660-9936

Fax: 905-532-2290

[www.miele.ca](http://www.miele.ca)

[info@miele.ca](mailto:info@miele.ca) (general enquiries)

[professional@miele.ca](mailto:professional@miele.ca) (commercial enquiries)

### **MieleCare National Service**

Phone: 800-565-6435

905-532-2272

Fax: 905-532-2292

[customercare@miele.ca](mailto:customercare@miele.ca) (technical enquiries)