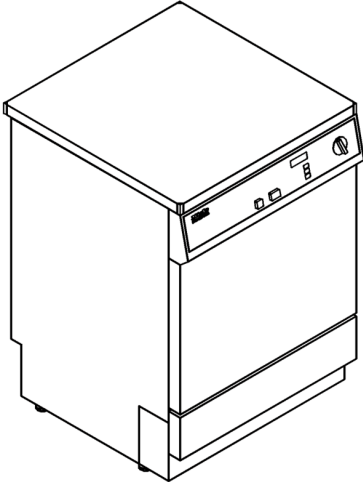


# Specifications and Cut-out Dimensions G 7881 Dental Washer Disinfector



### Electrical and Plumbing Specifications

- Electrical**
- 5 foot long, 10 AWG, 3 wire, unterminated power cord
  - 208/220VAC, 60 Hz, 30 Amp, single phase supply, 6.0 kW total load. It is possible to convert the G 7881 to 208/220VAC, 60 Hz, 20 Amp 3 phase power. Contact Miele Technical Support for further information.
- Water Inlets**
- One 5 foot long, 1/2" ID water intake hose with 3/4" female hose thread connector, for rinse cycles. Connect to cold tap water via 3/4" male hose thread shutoff valve. Max. water inlet temperature = 86°F. Recommended inlet pressure = 25 - 145 PSI.
- Drain**
- One 5 foot long, 7/8" OD flexible drain hoses.
  - Maximum drain height = 3 feet.
  - Maximum drain length = 12 feet.

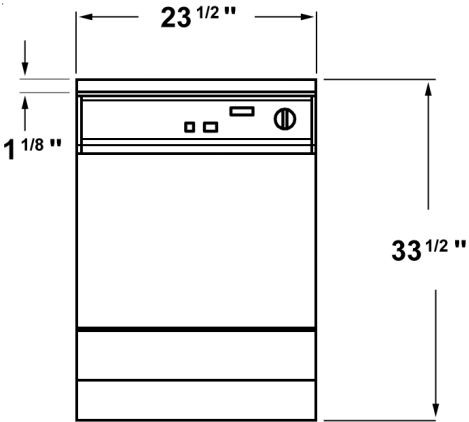
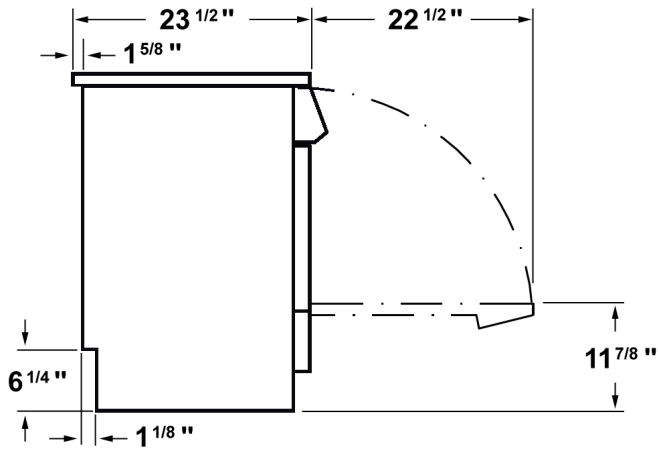
### Connection Locations

4" x 4" cutout recommended at bottom back right of cabinetry for water, drain, and electric pass through.

**Electrical:** 5 foot, 3-wire unterminated power cord at lower left rear

**Water:** One 5 foot flexible water intake hoses, terminated with 3/4" female hose threads connect lower center rear

**Drain:** 5 foot flexible drain hose connects lower center rear



All plumbing and electrical work must be performed by licensed professionals and adhere to all applicable Local, State and Federal Codes. The G 7881 can be installed either undercounter or as a freestanding unit.